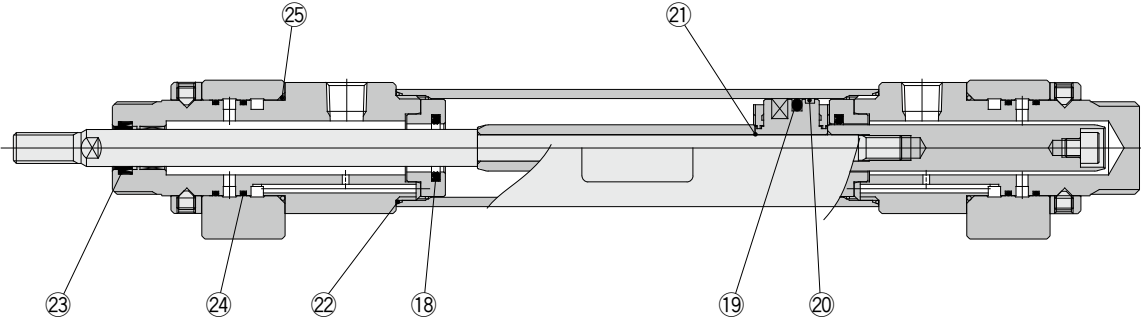


# RHC Series

ø20, ø25, ø32, ø40  
ø50, ø63, ø80, ø100



## Construction



\* The numbers correspond with those in the "Construction" of the RHC series in the **Web Catalog**.

### Seal Kit List

| No. | Description          | Material      | Qty. | Note   |
|-----|----------------------|---------------|------|--|
| 18  | Cushion seal         | Special resin | 2    | 21 is a non-replaceable part, so it is not included in the seal kit. |
| 19  | Piston seal          | NBR           | 1    |  |
| 20  | Wear ring            | Resin         | 1    |  |
| 21  | Piston gasket        | NBR           | —    |  |
| 22  | Cylinder tube gasket | NBR           | 2    |  |
| 23  | Rod seal             | NBR           | 1    |  |
| 24  | O-ring               | NBR           | 4    |  |
| 25  | O-ring               | NBR           | 2    |  |

### Replacement Parts: Seal Kit

| Bore size (mm) | Part no. | Contents                               |
|----------------|----------|--|
| 20             | RHC20-PS | Set of nos. 18, 19, 20, 22, 23, 24, 25 |
| 25             | RHC25-PS |  |
| 32             | RHC32-PS |  |
| 40             | RHC40-PS |  |

\* The seal kit includes a grease pack (10 g).  
Order with the following part number when only the grease pack is required.

**Grease pack part no.: GR-S-010 (10 g)**

### ⚠ Caution

When disassembling cylinders with bore sizes of ø20 through ø40, grip the double flat part of either the rod cover or the head cover with a vise and loosen the other side with a wrench or an adjustable angle wrench, and then remove the cover. When retightening, tighten approx. 2 degrees more than the original position.