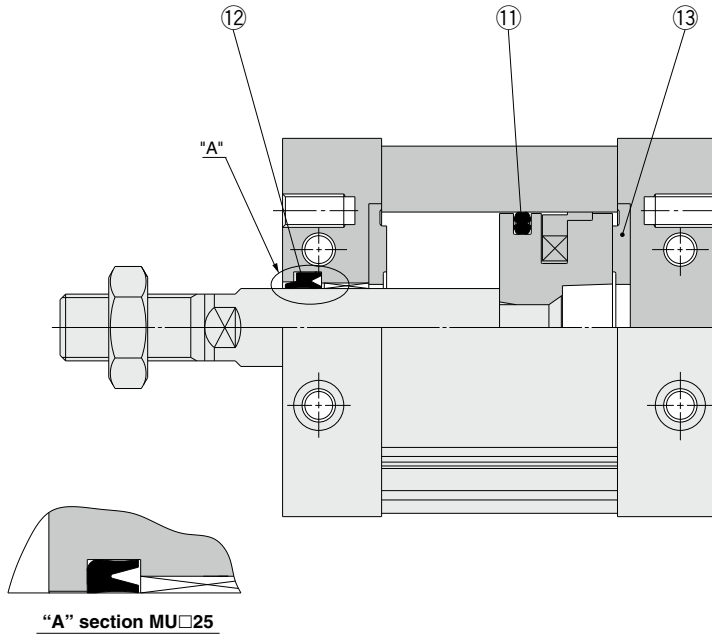


MU Series ø25, ø32, ø40, ø50, ø63

Construction



* The numbers correspond with those in the "Construction" of the MU series in the **Web Catalog**.

Seal Kit List

No.	Description	Material	Note
①	Piston seal	NBR	
②	Rod seal	NBR	
③	Bumper	Urethane	

Replacement Parts: Seal Kit

Bore size (mm)	Part no.	Contents
25	MUB25-PS	Set of nos. ①, ②, ③
32	MUB32-PS	
40	MUB40-PS	
50	MUB50-PS	
63	MUB63-PS	

- * The seal kit includes ① to ③. Order the seal kit based on each bore size.
- * Since the seal kit does not include a grease pack, it should be ordered separately.

Grease pack part no.: GR-S-010 (10 g)

Actuators

Rotary Actuators
Air Grippers

Modular F.R.L.
Pressure Control Equipment

Air Preparation
Equipment

Industrial Filters

Replacement
Procedure

Actuators

Rotary Actuators
Air Grippers

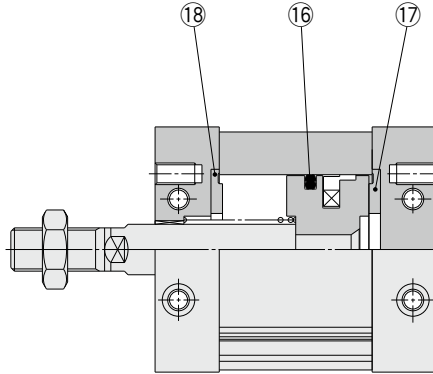
Modular F.R.L.
Pressure Control Equipment

Air Preparation Equipment
Industrial Filters

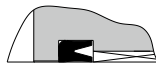
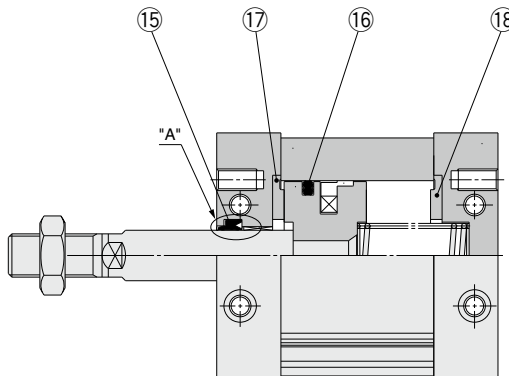
MU Series ø25, ø32, ø40, ø50, ø63

Construction

Spring return



Spring extend



"A" section MU□25

* The numbers correspond with those in the "Construction" of the MU series in the **Web Catalog**.

Seal Kit List

No.	Description	Material	Note
15	Rod seal	NBR	
16	Piston seal	NBR	
17	Bumper	Urethane	
18	Bumper B	Urethane	

Replacement Parts: Seal Kit

Bore size (mm)	Part no.		Contents
	Spring return	Spring extend	
25	MU25S-PS	MU25T-PS	For spring return type: 16, 17, 18 as a set
32	MU32S-PS	MU32T-PS	
40	MU40S-PS	MU40T-PS	
50	MU50S-PS	MU50T-PS	For spring extend type: 15, 16, 17, 18 as a set
63	MU63S-PS	MU63T-PS	

* The seal kit includes 15, 16, 17, 18 (excluding 15 for spring return type). Order them with a part number for each bore size.

* Since the seal kit does not include a grease pack, it should be ordered separately.

Grease pack part no.: GR-S-010 (10 g)

Actuators

Rotary Actuators
Air Grippers

Modular F.R.L.
Pressure Control Equipment

Air Preparation
Equipment

Industrial Filters

Replacement
Procedure

Actuators

Rotary Actuators
Air Grippers

Modular F.R.L.
Pressure Control Equipment

Air Preparation Equipment
Industrial Filters