

# CKQGM/CKQPM Series

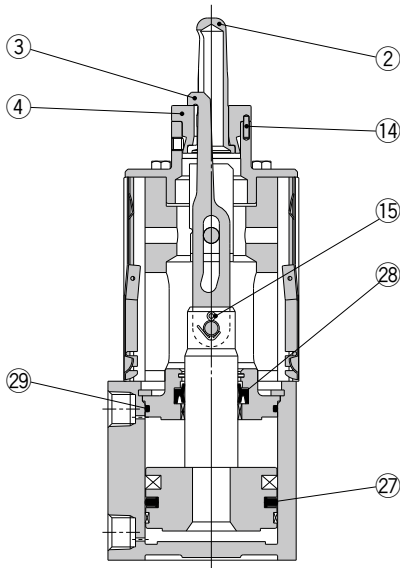
ø50



## Construction

### CKQGM50

\* The below figures indicate the CKQGM50-□RAL.



\* There's no seal kit for CKQGM50.

\* The numbers correspond with those in the "Construction" of the CKQ□M/CLKQ□M series in the Best Pneumatics catalog.

### Seal Kit List

No.	Description	Material	Note
27	Piston seal	NBR	
28	Rod seal		
29	Tube gasket		

### Replacement Parts: Seal Kit

Part no.	Content
CQ2B50-PS	Set of nos. 27, 28, 29

\* Consult SMC for maintenance service. Seal kit for maintenance of the CLKQ□ series with lock is not available.

### Replacement Parts: Grease Pack

Grease pack part no.	Content
GR-S-010	Grease 10 g (Lithium)

\* Consult SMC when replacing the actuating cylinders.

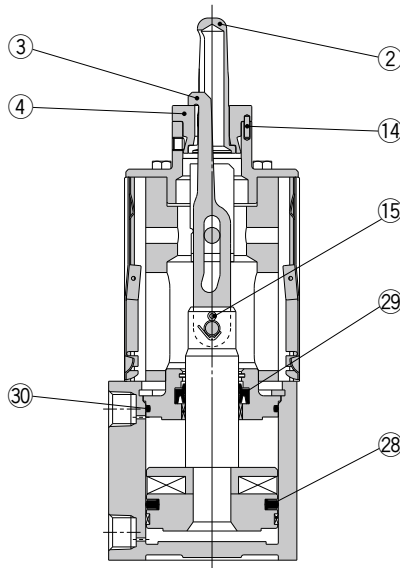
### Guide Pins Assembly List

No.	Description	Material	Note
2, 4	Guide pins assembly	Stainless steel	
14	Parallel pin	Tool steel	

\* Refer to page 211 for the guide pins assembly.

### CKQPM50

\* The below figures indicate the CKQPM50-□RAL.



\* There's no seal kit for CKQPM50.

\* The numbers correspond with those in the "Construction" of the CKQ□M/CLKQ□M series in the Best Pneumatics catalog.

### Seal Kit List

No.	Description	Material	Note
28	Piston seal	NBR	
29	Rod seal		
30	Tube gasket		

### Replacement Parts: Seal Kit

Part no.	Content
CQ2B50-PS	Set of nos. 28, 29, 30

\* Consult SMC for maintenance service. Seal kit for maintenance of the CLKQ□ series with lock is not available.

### Replacement Parts: Grease Pack

Grease pack part no.	Content
GR-S-010	Grease 10 g (Lithium)

\* Consult SMC when replacing the actuating cylinders.

### Clamp Arm Assembly List

No.	Description	Material	Note
3	Clamp arm	Structural steel	
15	Cotter pin	Stainless steel	

Actuators

Modular F.R.L.  
Pressure Control Equipment

Air Preparation  
Equipment

Industrial Filters

Replacement  
Procedure

Actuators

Modular F.R.L.  
Pressure Control Equipment

Industrial Filters