

# MGPW Series

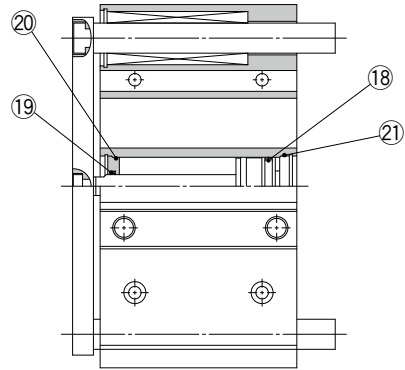
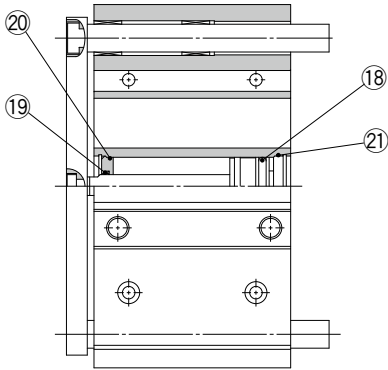
ø20, ø25, ø32  
ø40, ø50, ø63



## Construction: MGPWM, MGPWL, MGPWA Series

MGPWM20 to 63

MGPWL20 to 63  
MGPWA20 to 63



\* The numbers correspond with those in the "Construction" of the MGPW series in the **Web Catalog**.

### Seal Kit List

No.	Description	Material	Note
18	Piston seal	NBR	
19	Rod seal		
20	Gasket A		
21	Gasket B		

### Replacement Parts: Seal Kit

Bore size (mm)	Part no.	Contents	Bore size (mm)	Part no.	Contents
20	MGP20-Z-PS	Set of nos. 18, 19, 20, 21	40	MGP40-Z-PS	Set of nos. 18, 19, 20, 21
25	MGP25-Z-PS		50	MGP50-Z-PS	
32	MGP32-Z-PS		63	MGP63-Z-PS	

\* The seal kit includes 18 to 21. Order the seal kit based on each bore size.

\* Since the seal kit does not include a grease pack, it should be ordered separately.

**Grease pack part no.: GR-S-010 (10 g)**

Actuators  
Rotary Actuators  
Air Grippers  
Modular F.R.L.  
Pressure Control Equipment  
Air Preparation Equipment  
Industrial Filters  
Replacement Procedure  
Actuators  
Rotary Actuators  
Air Grippers  
Modular F.R.L.  
Pressure Control Equipment  
Air Preparation Equipment  
Industrial Filters