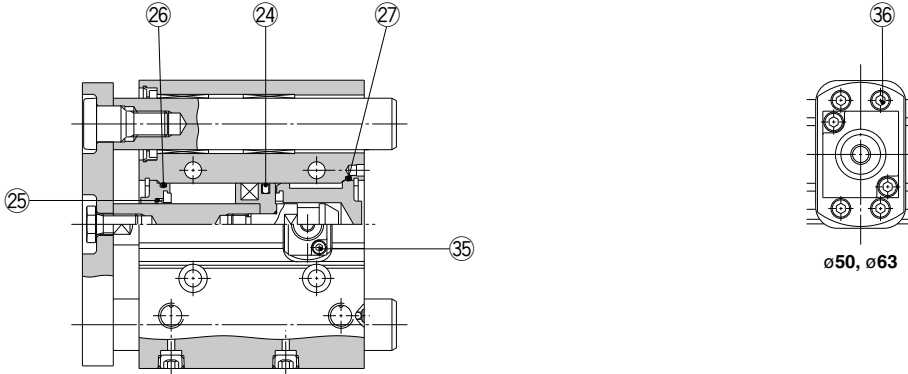


MGP Series

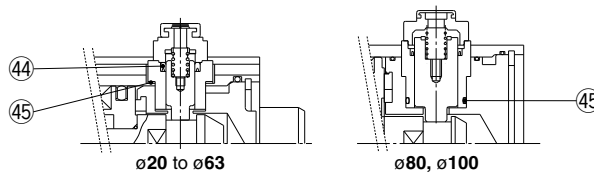
ø20, ø25, ø32, ø40
ø50, ø63, ø80, ø100

The Replacement Procedure is on p. 437

Construction



Non-locking type (Head end lock)



* The numbers correspond with those in the "Construction" of the MGP series in the **Web Catalog**.

Seal Kit List

No.	Description	Material	Note
24	Piston seal	NBR	
25	Rod seal	NBR	
26	Gasket A	NBR	
27	Gasket B	NBR	
35	Hexagon socket head cap screw	Carbon steel	
36	Hexagon socket head cap screw	Carbon steel	
44	Lock piston seal	NBR	
45	Lock holder gasket	NBR	

Replacement Parts: Seal Kit

Bore size (mm)	Part no.	Contents
20	MGP20-B-PS	Set of nos. 24, 25, 26, 27, 35, 44, 45
25	MGP25-B-PS	
32	MGP32-B-PS	
40	MGP40-B-PS	Set of nos. 24, 25, 26, 27, 35, 36, 44, 45
50	MGP50-B-PS	
63	MGP63-B-PS	Set of nos. 24, 25, 26, 27, 35, 44, 45
80	MGP80-B-PS	
100	MGP100-B-PS	

* Each seal kit includes the parts listed above. Order the seal kit based on each bore size.

* Since the seal kit does not include a grease pack, it should be ordered separately.

Grease pack part no.: GR-S-010 (10 g)

Actuators

Rotary Actuators
Air Grippers

Modular F.R.L.
Pressure Control Equipment

Air Preparation
Equipment

Industrial Filters

Replacement
Procedure

Actuators

Rotary Actuators
Air Grippers

Modular F.R.L.
Pressure Control Equipment

Air Preparation Equipment
Industrial Filters