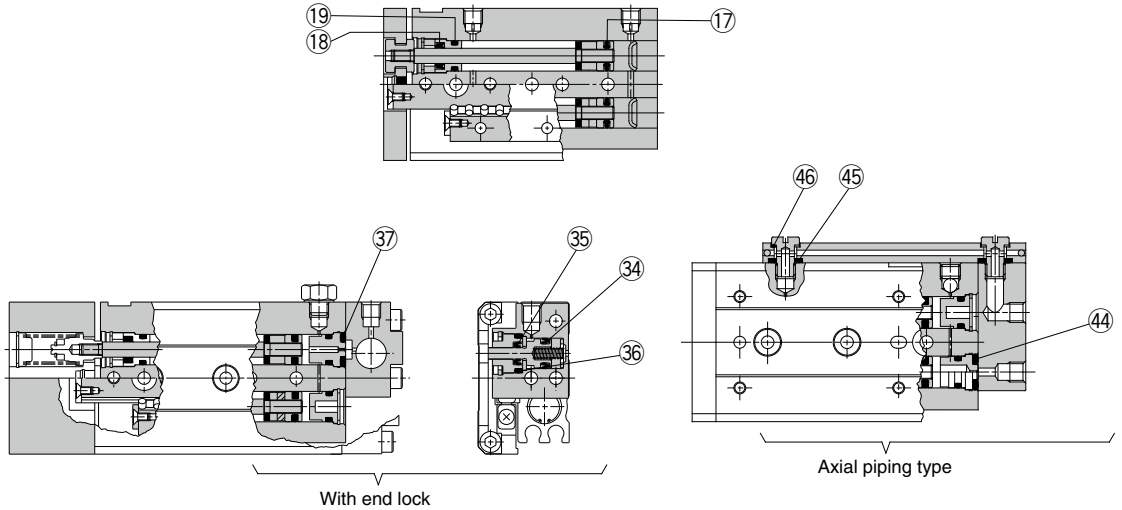


MXS Series

ø6, ø8, ø12, ø16
ø20, ø25

The Replacement Procedure is on p. 420

Construction



* The numbers correspond with those in the "Construction" of the MXS series in the **Web Catalog**.

Seal Kit List

No.	Description	Material	Note
17	Piston seal	NBR	
18	Rod seal		
19	O-ring		

With end lock

34	Piston seal	NBR	
35	Rod seal		
36	O-ring		
37	O-ring		

Axial piping type

44	O-ring	NBR	
45	O-ring	NBR	
46	Gasket	NBR, Stainless steel	

* The seal kit includes 1 set of numbered seals in the table on the right. Order the appropriate seal kit depending on the cylinder bore size.

Replacement Parts: Seal Kit

Bore size (mm)	Part no.	Contents
6	MXS6-PS	Set of nos. 17, 18, 19
8	MXS8-PS	
12	MXS12-PS	
16	MXS16-PS	
20	MXS20-PS	
25	MXS25-PS	

Replacement Parts: Seal Kit for with End Lock

Bore size (mm)	Part no.	Contents
8	MXS8R-PS	Set of nos. 17, 18, 19, 34, 35, 36, 37
12	MXS12R-PS	
16	MXS16R-PS	
20	MXS20R-PS	
25	MXS25R-PS	

Replacement Parts: Seal Kit for Axial Piping Type

Bore size (mm)	Part no.	Contents
6	MXS6P-PS	Set of nos. 17, 18, 19, 44, 45, 46
8	MXS8P-PS	
12	MXS12P-PS	
16	MXS16P-PS	
20	MXS20P-PS	
25	MXS25P-PS	

Replacement Parts: Grease Pack

Applied unit	Grease pack part no.
Guide unit	GR-S-010 (10 g) GR-S-020 (20 g)
Cylinder unit	GR-L-005 (5 g) GR-L-010 (10 g)

Actuators
 Rotary Actuators
 Air Grippers
 Modular F.R.L.
 Pressure Control Equipment
 Air Preparation Equipment
 Industrial Filters
 Replacement Procedure
 Actuators
 Rotary Actuators
 Air Grippers
 Modular F.R.L.
 Pressure Control Equipment
 Air Preparation Equipment
 Industrial Filters