

# Made to Order Common Specifications: -XC73: Built-in Cylinder with Lock (CDNG)



Symbol

**-XC73**

## 54 Built-in Cylinder with Lock (CDNG)

This type has a built-in cylinder with lock, which accommodates intermediate stops, emergency stops and drop prevention, etc.

### Applicable Series

Series	Description	Model	Action	Note	Vol. no. (for std model)
MGG	Guide cylinder	MGG	Double acting		Web Catalog

### How to Order

MGG **Bearing type** **Mounting type** **Bore size** - **Stroke** - **Auto switch** - **C** <sup>Note 1</sup> - **XC73**

### Cylinder Specifications

Applicable series		MGG			
Bore size (mm)		20	25	32	40
Basic cylinder		CDNGBN Bore size - Stroke - D - Auto switch - C <sup>Note 1</sup>			
Minimum operating pressure		0.2 MPa (Horizontal with no load)			
Piston speed		50 to 1000 mm/s <sup>Note 2</sup>			
Stroke adjustment range (One side) [Built-in adjustment bolts (2 pcs.)]		0 to -15 mm			
Non-rotating accuracy <sup>#2</sup>	Slide bearing	±0.06°	±0.05°	±0.04°	
	Ball bushing bearing	±0.04°	±0.04°	±0.04°	
Shock absorber model		RB1412		RB2015	
Specifications other than above		Same as standard type			

● Built-in cylinder with lock

Note 1) This symbol is indicated when the D-A9□ or M9□ type auto switch is specified. It does not apply to other auto switches (D-C7□ and H7□, etc.) (Nil)

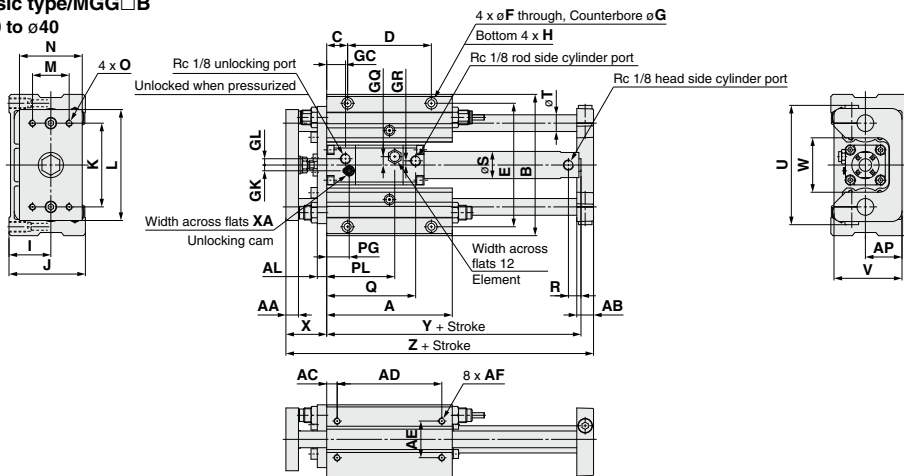
Note 2) When the piston is locked, the load mass is limited by the mounting orientation and the operating pressure. For details about the lock specifications, etc., refer to the cylinders with lock (Web Catalog).

\* Non-rotating rod accuracy must be below the values shown in the table at the retraction of the cylinder (initial value), and without loads or the conditions excluding the deflection of the guide rods.

### Dimensions

#### Basic type/MGG□B

ø20 to ø40



#### Standard Stroke

Bore size (mm)	Stroke range (mm)	A	AA	AB	AC	AD	AE	AF	AL	AP	B	C	D	E	F	G	GC	GK	GL	GQ	GR	H	I	J
20	75, 100, 125, 150, 200	120	12	16	10	100	35	M6 x 1 depth 12	9	35	135	20	80	118	6.6	11 depth 8	18	5.5	6	8	4	M10 x 1.5 depth 18	40	73
25	75, 100, 125	140	16	19	10	120	40	M8 x 1.25 depth 16	9	45	170	20	100	150	9	14 depth 10	25	6.5	9	10	7	M12 x 1.75 depth 21	50	93
32	150, 200	140	16	19	10	120	40	M8 x 1.25 depth 16	9	45	170	20	100	150	9	14 depth 10	25	6.5	9	10	7	M12 x 1.75 depth 21	50	93
40	250, 300	170	19	21	10	150	45	M10 x 1.5 depth 20	12	50	194	25	120	170	11	17 depth 12	26	7	11	12	7	M14 x 2 depth 25	55	103

#### Long Stroke

Bore size (mm)	K	L	M	N	O	PG	PL	Q	R	S	T	U	V	W	X	XA	Y	Z	Bore size (mm)	Stroke range (mm)	R	Y
20	80	106	35	60	M6 x 1 depth 9	21.5	65	85	12	26	16	114	65	52	39	3	143	194	20	250 to 1000	14	151
25	95	134	50	75	M8 x 1.25 depth 13	26.5	73	96	12	31	20	138	84	62	46	3	153	228	25	350 to 500	14	161
32	95	134	50	75	M8 x 1.25 depth 13	26.5	73	97	12	38	20	138	84	62	46	3	156	228	32	350 to 600	14	164
40	115	152	56	90	M10 x 1.5 depth 16	28	81	104	12	47	25	164	94	75	56	4	171	274	40	350 to 800	15	180

# Made to Order Common Specifications: -XC73: Built-in Cylinder with Lock (CDNG)

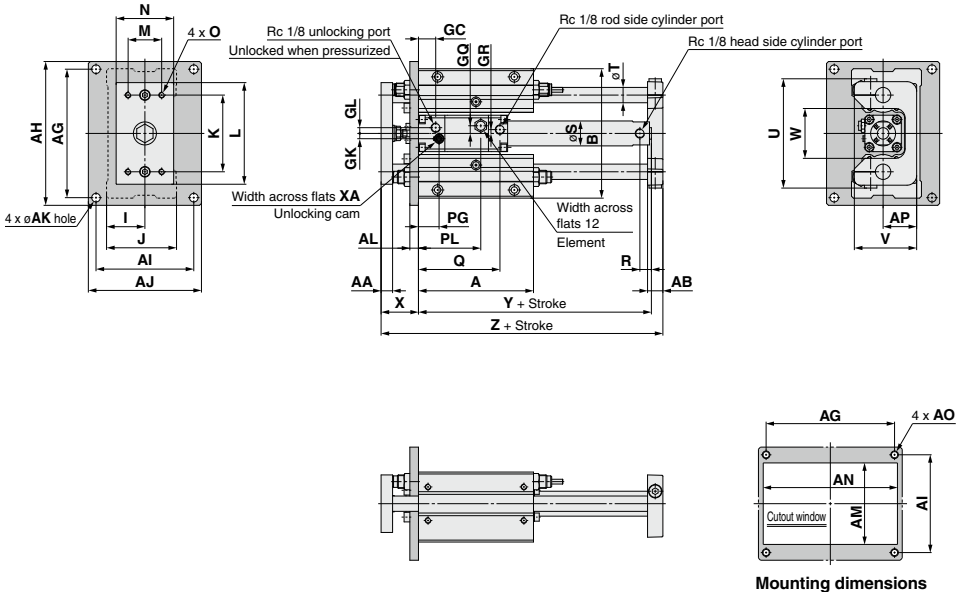


## 54 Built-in Cylinder with Lock (CDNG)

Symbol  
**-XC73**

### Dimensions

Front mounting flange type/MGG□F  
ø20 to ø40



Mounting dimensions

### Standard Stroke

Bore size (mm)	Stroke range (mm)	A	AA	AB	AG	AH	AI	AJ	AK	AL	AM	AN	AO	AP	B	GC	GK	GL	GQ	GR	I	J	K	L	M	N
20	75, 100, 125, 150, 200	120	12	16	134	150	102	118	9	9	85	140	M8	35	135	18	5.5	6	8	4	40	73	80	106	35	60
25	75, 100, 125	140	16	19	170	186	134	150	9	9	105	175	M8	45	170	25	6.5	9	10	7	50	93	95	134	50	75
	150, 200, 250, 300	140	16	19	170	186	134	150	9	9	105	175	M8	45	170	25	6.5	9	10	7	50	93	95	134	50	75
40		170	19	21	190	210	140	160	11	12	115	200	M10	50	194	26	7	11	12	7	55	103	115	152	56	90

### Long Stroke

Bore size (mm)	O	PG	PL	Q	R	S	T	U	V	W	X	XA	Y	Z
20	M6 x 1 depth 9	21.5	65	85	12	26	16	114	65	52	39	3	143	194
25	M8 x 1.25 depth 13	26.5	73	96	12	31	20	138	84	62	46	3	153	228
32	M8 x 1.25 depth 13	26.5	73	97	12	38	20	138	84	62	46	3	156	228
40	M10 x 1.5 depth 16	28	81	104	12	47	25	164	94	75	56	4	171	274

Bore size (mm)	Stroke range (mm)	R	Y
20	250 to 400	14	151
25	350 to 500	14	161
32	350 to 600	14	164
40	350 to 800	15	180

# Made to Order Common Specifications: -XC73: Built-in Cylinder with Lock (CDNG)



## 54 Built-in Cylinder with Lock (CDNG)

Symbol  
**-XC73**

This type has a built-in cylinder with lock, which accommodates intermediate stops, emergency stops and drop prevention, etc.

### How to Order

MGC **Bearing type** **Mounting type** **Bore size** — **Stroke** — **Equipped/Not equipped rear plate** — **Auto switch** — **C (Note 1)** — **XC73**

### Cylinder Specifications

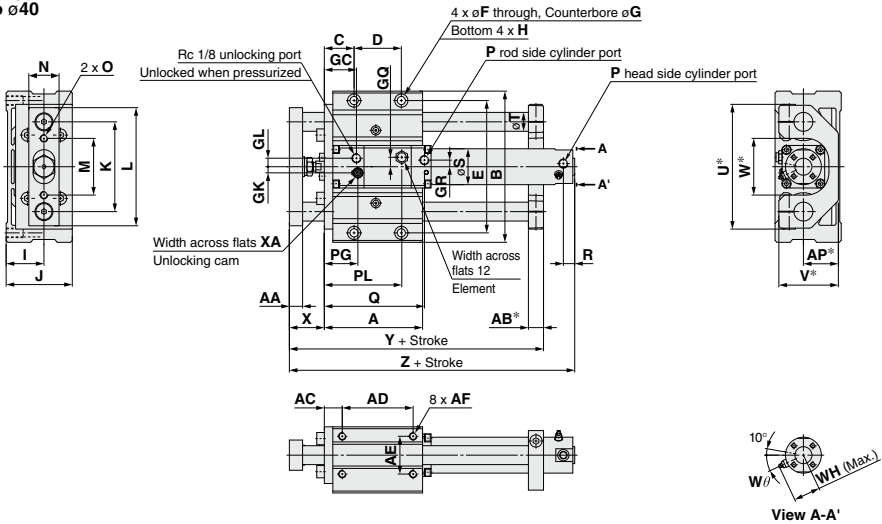
Applicable series		MGC			
Bore size (mm)		20	25	32	40
Basic cylinder		CDNGBA	Bore size	Stroke	D - Auto switch - C (Note 1)
Minimum operating pressure		0.2 MPa (Horizontal with no load)			
Piston speed		50 to 750 mm/s (Note 2)			
Non-rotating accuracy #2	Slide bearing	±0.06°	±0.05°	±0.04°	
	Ball bushing bearing	±0.04°	±0.04°	±0.04°	
Specifications other than above		Same as standard type			

Built-in cylinder with lock

- Note 1) This symbol is indicated when the D-A9□ or M9□ type auto switch is specified. It does not apply to other auto switches (D-C7□ and H7□, etc.) (Nil)
- Note 2) When the piston is locked, the load mass is limited by the mounting orientation and the operating pressure. For details about the lock specifications, etc., refer to the cylinders with lock (Web Catalog).
- \* Non-rotating rod accuracy must be below the values shown in the table at the retraction of the cylinder (initial value), and without loads or the conditions excluding the deflection of the guide rods.

### Dimensions

Basic type/MGC□B  
ø20 to ø40



### Standard Stroke

Bore size (mm)	Stroke range (mm)	A	AA	AB*	AC	AD	AE	AF	AP*	B	C	D	E	F	G	GC	GK	GL	GQ	GR	H	I	J	K
20	75, 100, 125, 150, 200	94	11	13	16.5	70	35	M6 x 1 depth 12	32	135	26.5	50	118	6.8	11 depth 8	27	5.5	6	8	4	M8 x 1.25 depth 14	35	60	80
25	75, 100, 125	104	14	16	19	75	40	M8 x 1.25 depth 16	37	160	31.5	50	140	8.6	14 depth 10	34	6.5	9	10	7	M10 x 1.5 depth 18	40	70	95
32	150, 200	104	14	16	19	75	40	M8 x 1.25 depth 16	37	160	31.5	50	140	8.6	14 depth 10	34	6.5	9	10	7	M10 x 1.5 depth 18	40	70	95
40	250, 300	142	17	19	22	110	45	M10 x 1.5 depth 20	42	194	37	80	170	10.5	17 depth 12	38	7	11	12	7	M12 x 1.75 depth 21	45	82.5	115

### Long Stroke

Bore size (mm)	L	M	N	O	P	PG	PL	Q	R	S	T	U*	V*	W*	WH	W/ø	X	XA	Y	Z	Bore size (mm)	Stroke range (mm)	R	Z
20	105	50	25	M6 x 1	M5 x 0.8	30.5	74	96	12	26	16	112	53	50	23	30°	30	3	148	182	20	250 to 400	14	190
25	125	60	32	M8 x 1.25	M5 x 0.8	35.5	82	106	12	31	20	132	63	60	25	30°	37	3	169	199	25	350 to 500	14	207
32	125	60	32	M8 x 1.25	Rc 1/8	35.5	82	106	12	38	20	132	63	60	28.5	25°	37	3	169	209	32	350 to 600	14	210
40	150	75	38	M8 x 1.25	Rc 1/8	40	93	116	12	47	25	162	73	70	33	20°	44	4	210	227	40	350 to 800	15	236

Note) Without rear plate: Dimensions with an asterisk (\*) mark is not needed.



# Made to Order Common Specifications:

## -XC73: Built-in Cylinder with Lock (CDNG)

## -XC74: With Front Plate for MGG Cylinder



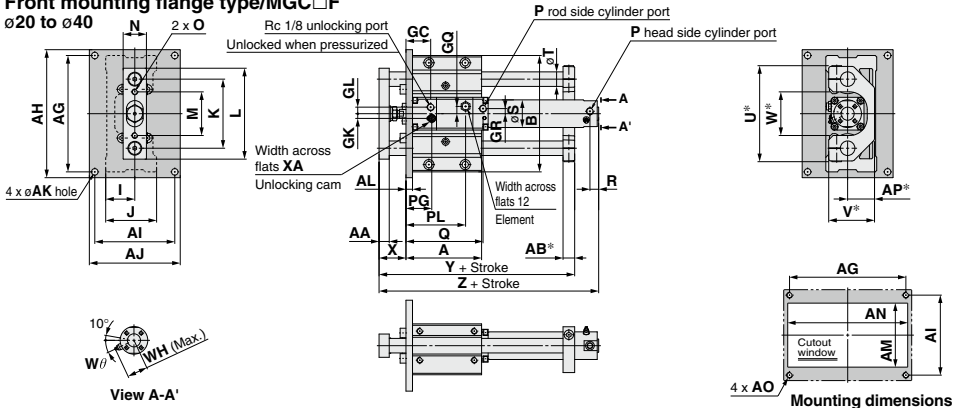
### 54 Built-in Cylinder with Lock (CDNG)

Symbol  
**-XC73**

#### Dimensions

##### Front mounting flange type/MGC□F

ø20 to ø40



#### Standard Stroke

Bore size (mm)	Stroke range (mm)	A	AA	AB*	AG	AH	AI	AJ	AK	AL	AM	AN	AO	AP*	B	GC	GK	GL	GQ	GR	I	J	K	L	M	N
20	75, 100, 125, 150, 200	94	11	13	134	150	92	108	9	9	75	140	M8	32	135	27	5.5	6	8	4	35	60	80	105	50	25
25	75, 100, 125	104	14	16	160	176	110	125	9	9	88	165	M8	37	160	34	6.5	9	10	7	40	70	95	125	60	32
32	150, 200, 250, 300	104	14	16	160	176	110	125	9	9	88	165	M8	37	160	34	6.5	9	10	7	40	70	95	125	60	32
40		142	17	19	190	210	115	135	11	12	96	200	M10	42	194	38	7	11	12	7	45	82.5	115	150	75	38

#### Long Stroke

Bore size (mm)	O	P	PG	PL	Q	R	S	T	U*	V*	W*	WH	Wθ	X	XA	Y	Z
20	M6 x 1	M5 x 0.8	30.5	74	96	12	26	16	112	53	50	23	30°	30	3	148	182
25	M8 x 1.25	M5 x 0.8	35.5	82	106	12	31	20	132	63	60	25	30°	37	3	169	199
32	M8 x 1.25	Rc 1/8	35.5	82	106	12	38	20	132	63	60	28.5	25°	37	3	169	202
40	M8 x 1.25	Rc 1/8	40	93	116	12	47	25	162	73	70	33	20°	44	4	210	227

(Note) Without rear plate: Dimensions with an asterisk (\*) mark is not needed.

### 55 With Front Plate for MGG Cylinder

Symbol  
**-XC74**

This type uses a front plate equivalent to the MGG series.

#### How to Order

MGC  -XC74

With front plate for MGG

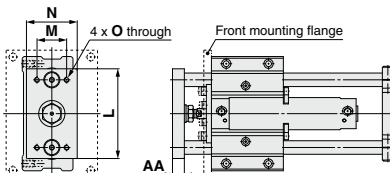
#### Specifications

Applicable series	MGC
Bore size (mm)	20, 25, 32, 40, 50
Fluid	Air
Minimum operating pressure	0.15 MPa (Horizontal, With no load)
Piston speed	50 to 750mm/s
Auto switch	Mountable

\* Specifications other than above are the same as standard type.

#### Dimensions (Dimensions other than below are the same as standard type.)

ø20 to ø50



Bore size (mm)	L	M	N	O	AA
20	80	25	45	M6 x 1	11
25	100	35	54	M6 x 1	14
32	106	35	60	M6 x 1	14
40	134	50	75	M8 x 1.25	17
50	152	56	90	M10 x 1.5	23