

Mark-free Pad/High Rigidity *ZP2 Series* Mounting Bracket Assembly

Adapter Assembly

Adapter assembly part no.	Applicable pad part no.
ZPA-T1-B8	ZP2-40H(CL/NT/FT) ZP2-50H(CL/NT/FT) ZP2-3050HW
ZPA-T1-B10	

Dimensions	
Part no.	A
ZPA-T1-B8	M8 x 1.25
ZPA-T1-B10	M10 x 1.5

* With three M3 bolts

Adapter assembly part no.	Applicable pad part no.
ZPA-T1-B01	ZP2-40H(CL/NT/FT) ZP2-50H(CL/NT/FT) ZP2-3050HW
ZPA-T1-N01	
ZPA-T1-T01	

* With three M3 bolts

Adapter assembly part no.	Applicable pad part no.
ZPA-T2-B8	ZP2-63H(CL/NT/FT) ZP2-80H(CL/NT/FT)
ZPA-T2-B10	
ZPA-T2-B12	
ZPA-T2-B16	

Dimensions	
Part no.	A
ZPA-T2-B8	M8 x 1.25
ZPA-T2-B10	M10 x 1.5
ZPA-T2-B12	M12 x 1.75
ZPA-T2-B16	M16 x 1.5

* With four M4 bolts

Adapter assembly part no.	Applicable pad part no.
ZPA-T2-B01	ZP2-63H(CL/NT/FT) ZP2-80H(CL/NT/FT)
ZPA-T2-N01	
ZPA-T2-T01	

* With four M4 bolts

Adapter assembly part no.	Applicable pad part no.
ZPA-T3-B12	ZP2-100H(CL/NT/FT) ZP2-125H(CL/NT/FT)
ZPA-T3-B16	

Dimensions	
Part no.	A
ZPA-T3-B12	M12 x 1.75
ZPA-T3-B16	M16 x 1.5

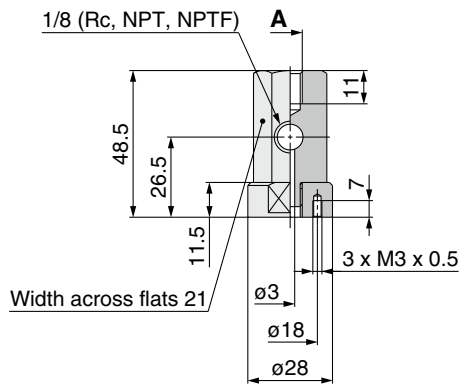
* With four M5 bolts

Adapter assembly part no.	Applicable pad part no.
ZPA-T3-B01	ZP2-100H(CL/NT/FT) ZP2-125H(CL/NT/FT)
ZPA-T3-N01	
ZPA-T3-T01	

* With four M5 bolts

Adapter Assembly

Adapter assembly part no.	Applicable pad part no.
ZPA-X1-B01-B8	ZP2-40H(CL/NT/FT) ZP2-50H(CL/NT/FT) ZP2-3050HW
ZPA-X1-N01-B8	
ZPA-X1-T01-B8	
ZPA-X1-B01-B10	
ZPA-X1-N01-B10	
ZPA-X1-T01-B10	

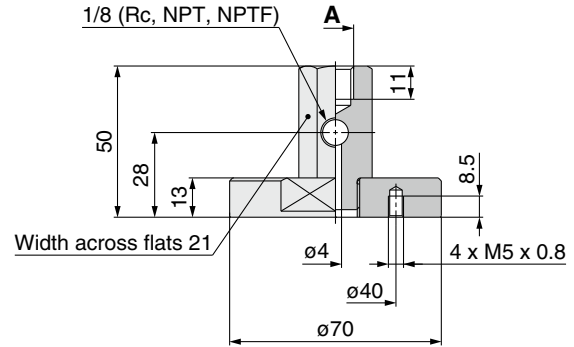


Dimensions

Part no.	A
ZPA-X1-□01-B8	M8 x 1.25
ZPA-X1-□01-B10	M10 x 1.5

* With three M3 bolts

Adapter assembly part no.	Applicable pad part no.
ZPA-X3-B01-B10	ZP2-100H(CL/NT/FT) ZP2-125H(CL/NT/FT)
ZPA-X3-N01-B10	
ZPA-X3-T01-B10	
ZPA-X3-B01-B12	
ZPA-X3-N01-B12	
ZPA-X3-T01-B12	

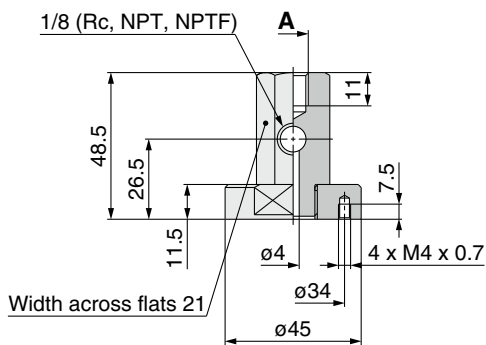


Dimensions

Part no.	A
ZPA-X3-□01-B10	M10 x 1.5
ZPA-X3-□01-B12	M12 x 1.75

* With four M5 bolts

Adapter assembly part no.	Applicable pad part no.
ZPA-X2-B01-B10	ZP2-63H(CL/NT/FT) ZP2-80H(CL/NT/FT)
ZPA-X2-N01-B10	
ZPA-X2-T01-B10	
ZPA-X2-B01-B12	
ZPA-X2-N01-B12	
ZPA-X2-T01-B12	



Dimensions

Part no.	A
ZPA-X2-□01-B10	M10 x 1.5
ZPA-X2-□01-B12	M12 x 1.75

* With four M4 bolts

Model Selection

For Special Applications

Mark-free

For Film Adsorption

Multistage

Flat

Nozzle

Sponge

For Disk Adsorption

For Panel Holding

Ball Spine Buffer

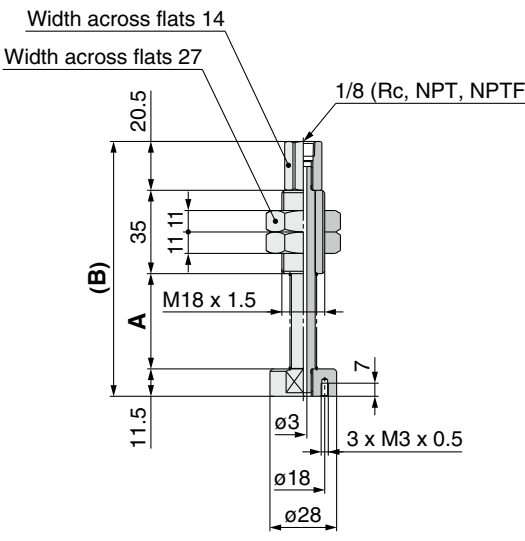
Construction

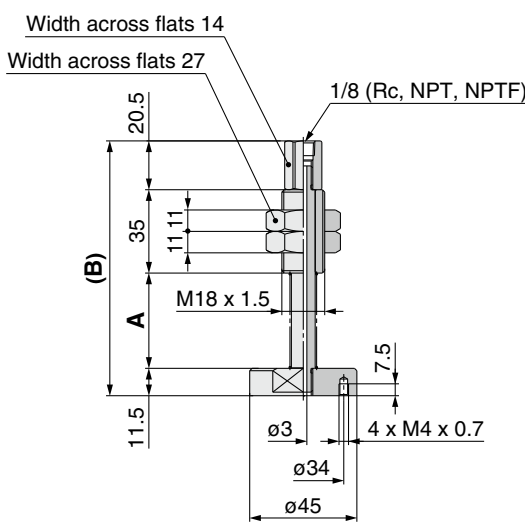
Mounting Bracket Assembly

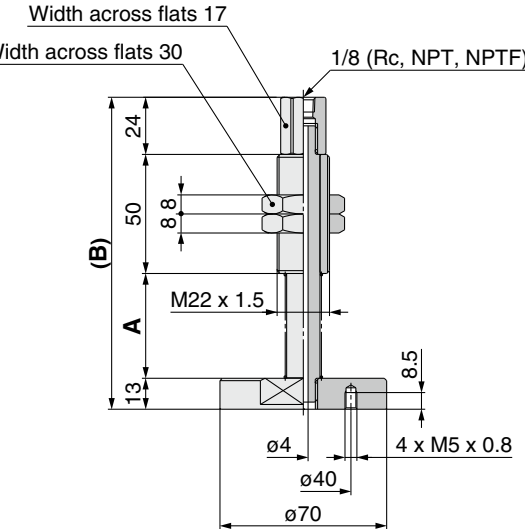
Precautions

Buffer Assembly

* Refer to page 343 for nut tightening torque.

Buffer assembly part no. Buffer body (Material: Aluminum alloy)		Applicable pad part no. ZP2-40H(CL/NT/FT) ZP2-50H(CL/NT/FT) ZP2-3050HW												
ZPB-T1J25-B01 ZPB-T1J25-N01 ZPB-T1J25-T01 ZPB-T1J50-B01 ZPB-T1J50-N01 ZPB-T1J50-T01 ZPB-T1J75-B01 ZPB-T1J75-N01 ZPB-T1J75-T01														
		Buffer Specifications <table border="1" style="width: 100%; border-collapse: collapse;"> <thead> <tr> <th>Buffer specifications</th> <th>Rotating</th> </tr> </thead> <tbody> <tr> <td>Stroke [mm]</td> <td>25, 50, 75</td> </tr> <tr> <td rowspan="2">Spring reactive force [N]</td> <td>At 0 stroke</td> </tr> <tr> <td>At full stroke</td> </tr> </tbody> </table>	Buffer specifications	Rotating	Stroke [mm]	25, 50, 75	Spring reactive force [N]	At 0 stroke	At full stroke					
Buffer specifications	Rotating													
Stroke [mm]	25, 50, 75													
Spring reactive force [N]	At 0 stroke													
	At full stroke													
		Dimensions <table border="1" style="width: 100%; border-collapse: collapse;"> <thead> <tr> <th>Part no.</th> <th>A</th> <th>B</th> </tr> </thead> <tbody> <tr> <td>ZPB-T1J25-□01</td> <td>40</td> <td>107</td> </tr> <tr> <td>ZPB-T1J50-□01</td> <td>75</td> <td>142</td> </tr> <tr> <td>ZPB-T1J75-□01</td> <td>111</td> <td>178</td> </tr> </tbody> </table> <p>* With three M3 bolts</p>	Part no.	A	B	ZPB-T1J25-□01	40	107	ZPB-T1J50-□01	75	142	ZPB-T1J75-□01	111	178
Part no.	A	B												
ZPB-T1J25-□01	40	107												
ZPB-T1J50-□01	75	142												
ZPB-T1J75-□01	111	178												

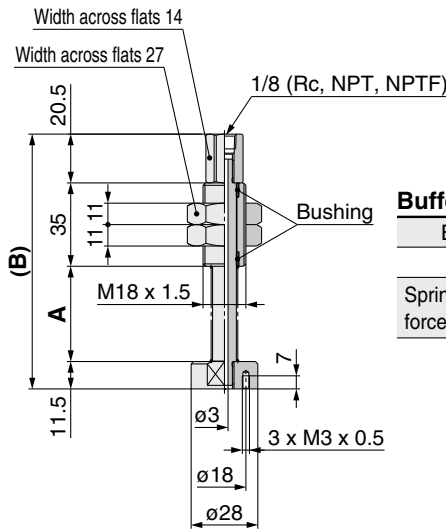
Buffer assembly part no. Buffer body (Material: Aluminum alloy)		Applicable pad part no. ZP2-63H(CL/NT/FT) ZP2-80H(CL/NT/FT)												
ZPB-T2J25-B01 ZPB-T2J25-N01 ZPB-T2J25-T01 ZPB-T2J50-B01 ZPB-T2J50-N01 ZPB-T2J50-T01 ZPB-T2J75-B01 ZPB-T2J75-N01 ZPB-T2J75-T01														
		Buffer Specifications <table border="1" style="width: 100%; border-collapse: collapse;"> <thead> <tr> <th>Buffer specifications</th> <th>Rotating</th> </tr> </thead> <tbody> <tr> <td>Stroke [mm]</td> <td>25, 50, 75</td> </tr> <tr> <td rowspan="2">Spring reactive force [N]</td> <td>At 0 stroke</td> </tr> <tr> <td>At full stroke</td> </tr> </tbody> </table>	Buffer specifications	Rotating	Stroke [mm]	25, 50, 75	Spring reactive force [N]	At 0 stroke	At full stroke					
Buffer specifications	Rotating													
Stroke [mm]	25, 50, 75													
Spring reactive force [N]	At 0 stroke													
	At full stroke													
		Dimensions <table border="1" style="width: 100%; border-collapse: collapse;"> <thead> <tr> <th>Part no.</th> <th>A</th> <th>B</th> </tr> </thead> <tbody> <tr> <td>ZPB-T2J25-□01</td> <td>40</td> <td>107</td> </tr> <tr> <td>ZPB-T2J50-□01</td> <td>75</td> <td>142</td> </tr> <tr> <td>ZPB-T2J75-□01</td> <td>111</td> <td>178</td> </tr> </tbody> </table> <p>* With four M4 bolts</p>	Part no.	A	B	ZPB-T2J25-□01	40	107	ZPB-T2J50-□01	75	142	ZPB-T2J75-□01	111	178
Part no.	A	B												
ZPB-T2J25-□01	40	107												
ZPB-T2J50-□01	75	142												
ZPB-T2J75-□01	111	178												

Buffer assembly part no. Buffer body (Material: Aluminum alloy)		Applicable pad part no. ZP2-100H(CL/NT/FT) ZP2-125H(CL/NT/FT)															
ZPB-T3J25-B01 ZPB-T3J25-N01 ZPB-T3J25-T01 ZPB-T3J50-B01 ZPB-T3J50-N01 ZPB-T3J50-T01 ZPB-T3J75-B01 ZPB-T3J75-N01 ZPB-T3J75-T01 ZPB-T3J100-B01 ZPB-T3J100-N01 ZPB-T3J100-T01																	
		Buffer Specifications <table border="1" style="width: 100%; border-collapse: collapse;"> <thead> <tr> <th>Buffer specifications</th> <th>Rotating</th> </tr> </thead> <tbody> <tr> <td>Stroke [mm]</td> <td>25, 50, 75, 100</td> </tr> <tr> <td rowspan="2">Spring reactive force [N]</td> <td>At 0 stroke</td> </tr> <tr> <td>At full stroke</td> </tr> </tbody> </table>	Buffer specifications	Rotating	Stroke [mm]	25, 50, 75, 100	Spring reactive force [N]	At 0 stroke	At full stroke								
Buffer specifications	Rotating																
Stroke [mm]	25, 50, 75, 100																
Spring reactive force [N]	At 0 stroke																
	At full stroke																
		Dimensions <table border="1" style="width: 100%; border-collapse: collapse;"> <thead> <tr> <th>Part no.</th> <th>A</th> <th>B</th> </tr> </thead> <tbody> <tr> <td>ZPB-T3J25-□01</td> <td>44</td> <td>131</td> </tr> <tr> <td>ZPB-T3J50-□01</td> <td>80</td> <td>167</td> </tr> <tr> <td>ZPB-T3J75-□01</td> <td>120</td> <td>207</td> </tr> <tr> <td>ZPB-T3J100-□01</td> <td>155</td> <td>242</td> </tr> </tbody> </table> <p>* With four M5 bolts</p>	Part no.	A	B	ZPB-T3J25-□01	44	131	ZPB-T3J50-□01	80	167	ZPB-T3J75-□01	120	207	ZPB-T3J100-□01	155	242
Part no.	A	B															
ZPB-T3J25-□01	44	131															
ZPB-T3J50-□01	80	167															
ZPB-T3J75-□01	120	207															
ZPB-T3J100-□01	155	242															

Buffer Assembly

* Refer to page 343 for nut tightening torque.

Buffer assembly part no.	
Buffer body (Material: Brass)	Buffer body (Material: Structural steel)
ZPB-T1JB25-B01	ZPB-T1JF25-B01
ZPB-T1JB25-N01	ZPB-T1JF25-N01
ZPB-T1JB25-T01	ZPB-T1JF25-T01
ZPB-T1JB50-B01	ZPB-T1JF50-B01
ZPB-T1JB50-N01	ZPB-T1JF50-N01
ZPB-T1JB50-T01	ZPB-T1JF50-T01
ZPB-T1JB75-B01	ZPB-T1JF75-B01
ZPB-T1JB75-N01	ZPB-T1JF75-N01
ZPB-T1JB75-T01	ZPB-T1JF75-T01



Applicable pad part no.

ZP2-40H(CL/NT/FT)
ZP2-50H(CL/NT/FT)
ZP2-3050HW

Buffer Specifications

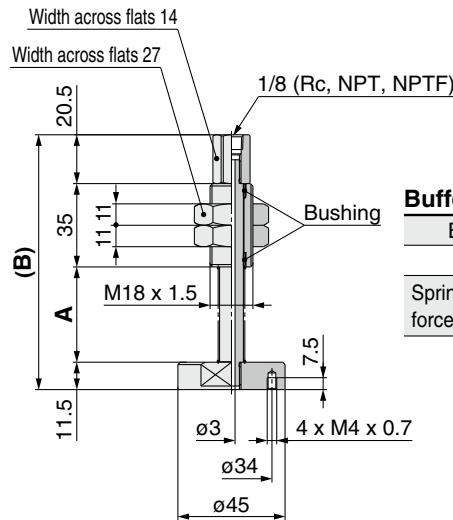
Buffer specifications	Rotating
Stroke [mm]	25, 50, 75
Spring reactive force [N]	At 0 stroke: 6.9 At full stroke: 11.8

Dimensions

Part no.	A	B
ZPB-T1(JB/JF)25-□01	40	107
ZPB-T1(JB/JF)50-□01	75	142
ZPB-T1(JB/JF)75-□01	111	178

* With three M3 bolts

Buffer assembly part no.	
Buffer body (Material: Brass)	Buffer body (Material: Structural steel)
ZPB-T2JB25-B01	ZPB-T2JF25-B01
ZPB-T2JB25-N01	ZPB-T2JF25-N01
ZPB-T2JB25-T01	ZPB-T2JF25-T01
ZPB-T2JB50-B01	ZPB-T2JF50-B01
ZPB-T2JB50-N01	ZPB-T2JF50-N01
ZPB-T2JB50-T01	ZPB-T2JF50-T01
ZPB-T2JB75-B01	ZPB-T2JF75-B01
ZPB-T2JB75-N01	ZPB-T2JF75-N01
ZPB-T2JB75-T01	ZPB-T2JF75-T01



Applicable pad part no.

ZP2-63H(CL/NT/FT)
ZP2-80H(CL/NT/FT)

Buffer Specifications

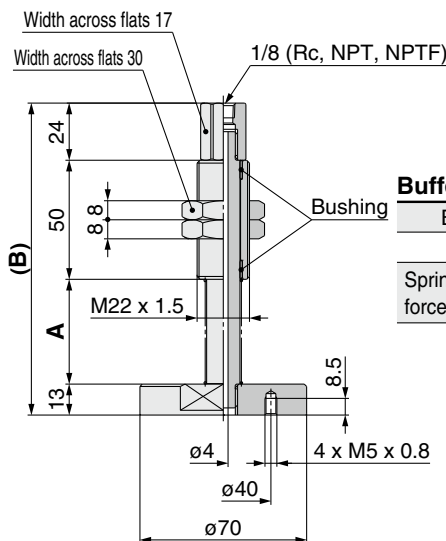
Buffer specifications	Rotating
Stroke [mm]	25, 50, 75
Spring reactive force [N]	At 0 stroke: 6.9 At full stroke: 11.8

Dimensions

Part no.	A	B
ZPB-T2(JB/JF)25-□01	40	107
ZPB-T2(JB/JF)50-□01	75	142
ZPB-T2(JB/JF)75-□01	111	178

* With four M4 bolts

Buffer assembly part no.	
Buffer body (Material: Brass)	Buffer body (Material: Structural steel)
ZPB-T3JB25-B01	ZPB-T3JF25-B01
ZPB-T3JB25-N01	ZPB-T3JF25-N01
ZPB-T3JB25-T01	ZPB-T3JF25-T01
ZPB-T3JB50-B01	ZPB-T3JF50-B01
ZPB-T3JB50-N01	ZPB-T3JF50-N01
ZPB-T3JB50-T01	ZPB-T3JF50-T01
ZPB-T3JB75-B01	ZPB-T3JF75-B01
ZPB-T3JB75-N01	ZPB-T3JF75-N01
ZPB-T3JB75-T01	ZPB-T3JF75-T01
ZPB-T3JB100-B01	ZPB-T3JF100-B01
ZPB-T3JB100-N01	ZPB-T3JF100-N01
ZPB-T3JB100-T01	ZPB-T3JF100-T01



Applicable pad part no.

ZP2-100H(CL/NT/FT)
ZP2-125H(CL/NT/FT)

Buffer Specifications

Buffer specifications	Rotating
Stroke [mm]	25, 50, 75, 100
Spring reactive force [N]	At 0 stroke: 10 At full stroke: 15

Dimensions

Part no.	A	B
ZPB-T3(JB/JF)25-□01	44	131
ZPB-T3(JB/JF)50-□01	80	167
ZPB-T3(JB/JF)75-□01	120	207
ZPB-T3(JB/JF)100-□01	155	242

* With four M5 bolts

Buffer Assembly

* Refer to page 343 for nut tightening torque.

Buffer assembly part no. Buffer body (Material: Aluminum alloy)		Applicable pad part no. ZP2-40H(CL/NT/FT) ZP2-50H(CL/NT/FT) ZP2-3050HW
ZPB-X1J25-B01		
ZPB-X1J25-N01		
ZPB-X1J25-T01		
ZPB-X1J50-B01		
ZPB-X1J50-N01		
ZPB-X1J50-T01		
ZPB-X1J75-B01		
ZPB-X1J75-N01		
ZPB-X1J75-T01		

Buffer specifications		Rotating
Stroke [mm]	25, 50, 75	
Spring reactive force [N]	At 0 stroke	6.9
	At full stroke	11.8

Dimensions		
Part no.	A	B
ZPB-X1J25-□01	40	139.5
ZPB-X1J50-□01	75	174.5
ZPB-X1J75-□01	111	210.5

* With three M3 bolts

Buffer assembly part no. Buffer body (Material: Aluminum alloy)		Applicable pad part no. ZP2-63H(CL/NT/FT) ZP2-80H(CL/NT/FT)
ZPB-X2J25-B01		
ZPB-X2J25-N01		
ZPB-X2J25-T01		
ZPB-X2J50-B01		
ZPB-X2J50-N01		
ZPB-X2J50-T01		
ZPB-X2J75-B01		
ZPB-X2J75-N01		
ZPB-X2J75-T01		

Buffer specifications		Rotating
Stroke [mm]	25, 50, 75	
Spring reactive force [N]	At 0 stroke	6.9
	At full stroke	11.8

Dimensions		
Part no.	A	B
ZPB-X2J25-□01	40	139.5
ZPB-X2J50-□01	75	174.5
ZPB-X2J75-□01	111	210.5

* With four M4 bolts

Buffer assembly part no. Buffer body (Material: Aluminum alloy)		Applicable pad part no. ZP2-100H(CL/NT/FT) ZP2-125H(CL/NT/FT)
ZPB-X3J25-B01		
ZPB-X3J25-N01		
ZPB-X3J25-T01		
ZPB-X3J50-B01		
ZPB-X3J50-N01		
ZPB-X3J50-T01		
ZPB-X3J75-B01		
ZPB-X3J75-N01		
ZPB-X3J75-T01		
ZPB-X3J100-B01		
ZPB-X3J100-N01		
ZPB-X3J100-T01		

Buffer specifications		Rotating
Stroke [mm]	25, 50, 75, 100	
Spring reactive force [N]	At 0 stroke	10
	At full stroke	15

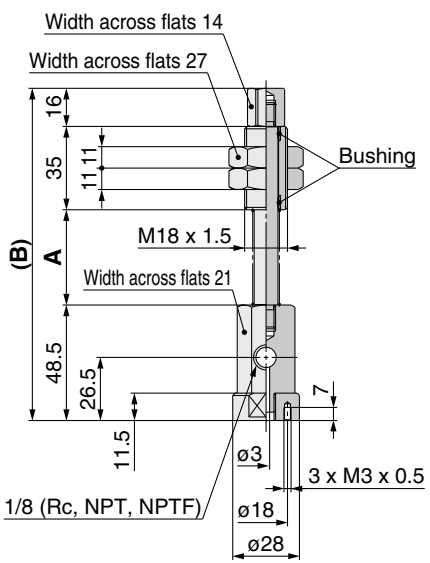
Dimensions		
Part no.	A	B
ZPB-X3J25-□01	44	165
ZPB-X3J50-□01	80	201
ZPB-X3J75-□01	120	241
ZPB-X3J100-□01	155	276

* With four M5 bolts

Buffer Assembly

* Refer to page 343 for nut tightening torque.

Buffer assembly part no.	
Buffer body (Material: Brass)	Buffer body (Material: Structural steel)
ZPB-X1JB25-B01	ZPB-X1JF25-B01
ZPB-X1JB25-N01	ZPB-X1JF25-N01
ZPB-X1JB25-T01	ZPB-X1JF25-T01
ZPB-X1JB50-B01	ZPB-X1JF50-B01
ZPB-X1JB50-N01	ZPB-X1JF50-N01
ZPB-X1JB50-T01	ZPB-X1JF50-T01
ZPB-X1JB75-B01	ZPB-X1JF75-B01
ZPB-X1JB75-N01	ZPB-X1JF75-N01
ZPB-X1JB75-T01	ZPB-X1JF75-T01



Applicable pad part no.
ZP2-40H(CL/NT/FT)
ZP2-50H(CL/NT/FT)
ZP2-3050HW

Buffer Specifications

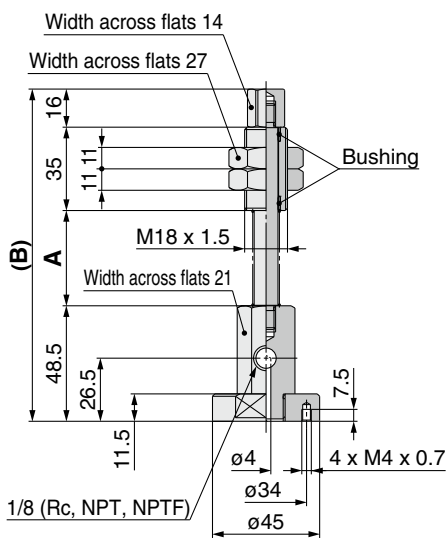
Buffer specifications	Rotating
Stroke [mm]	25, 50, 75
Spring reactive force [N]	At 0 stroke
	At full stroke

Dimensions

Part no.	A	B
ZPB-X1(JB/JF)25-□01	40	139.5
ZPB-X1(JB/JF)50-□01	75	174.5
ZPB-X1(JB/JF)75-□01	111	210.5

* With three M3 bolts

Buffer assembly part no.	
Buffer body (Material: Brass)	Buffer body (Material: Structural steel)
ZPB-X2JB25-B01	ZPB-X2JF25-B01
ZPB-X2JB25-N01	ZPB-X2JF25-N01
ZPB-X2JB25-T01	ZPB-X2JF25-T01
ZPB-X2JB50-B01	ZPB-X2JF50-B01
ZPB-X2JB50-N01	ZPB-X2JF50-N01
ZPB-X2JB50-T01	ZPB-X2JF50-T01
ZPB-X2JB75-B01	ZPB-X2JF75-B01
ZPB-X2JB75-N01	ZPB-X2JF75-N01
ZPB-X2JB75-T01	ZPB-X2JF75-T01



Applicable pad part no.
ZP2-63H(CL/NT/FT)
ZP2-80H(CL/NT/FT)

Buffer Specifications

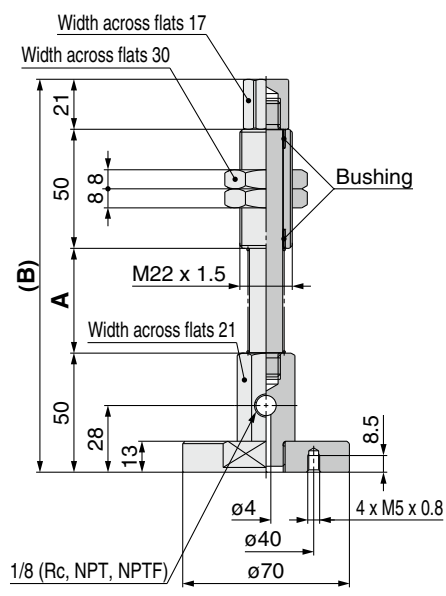
Buffer specifications	Rotating
Stroke [mm]	25, 50, 75
Spring reactive force [N]	At 0 stroke
	At full stroke

Dimensions

Part no.	A	B
ZPB-X2(JB/JF)25-□01	40	139.5
ZPB-X2(JB/JF)50-□01	75	174.5
ZPB-X2(JB/JF)75-□01	111	210.5

* With four M4 bolts

Buffer assembly part no.	
Buffer body (Material: Brass)	Buffer body (Material: Structural steel)
ZPB-X3JB25-B01	ZPB-X3JF25-B01
ZPB-X3JB25-N01	ZPB-X3JF25-N01
ZPB-X3JB25-T01	ZPB-X3JF25-T01
ZPB-X3JB50-B01	ZPB-X3JF50-B01
ZPB-X3JB50-N01	ZPB-X3JF50-B01
ZPB-X3JB50-T01	ZPB-X3JF50-T01
ZPB-X3JB75-B01	ZPB-X3JF75-B01
ZPB-X3JB75-N01	ZPB-X3JF75-B01
ZPB-X3JB75-T01	ZPB-X3JF75-T01
ZPB-X3JB100-B01	ZPB-X3JF100-B01
ZPB-X3JB100-N01	ZPB-X3JF100-N01
ZPB-X3JB100-T01	ZPB-X3JF100-T01



Applicable pad part no.
ZP2-100H(CL/NT/FT)
ZP2-125H(CL/NT/FT)

Buffer Specifications

Buffer specifications	Rotating
Stroke [mm]	25, 50, 75, 100
Spring reactive force [N]	At 0 stroke
	At full stroke

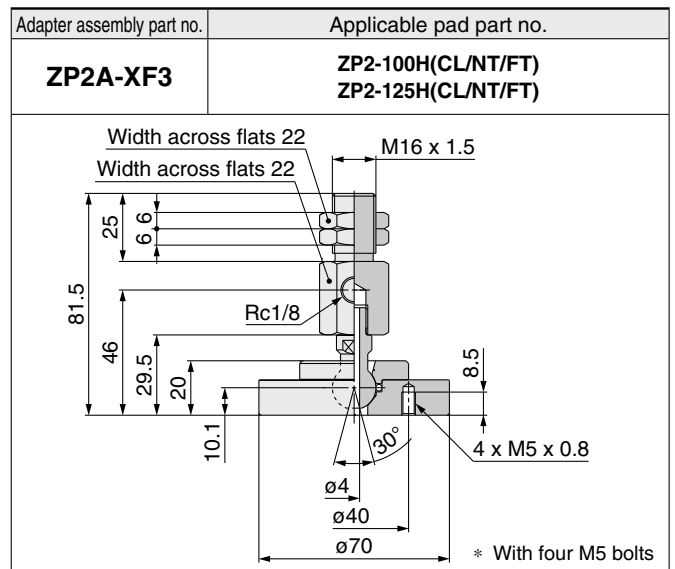
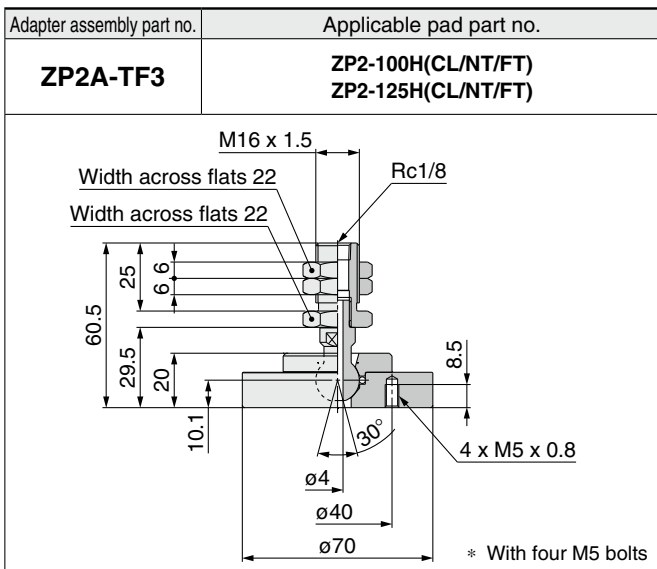
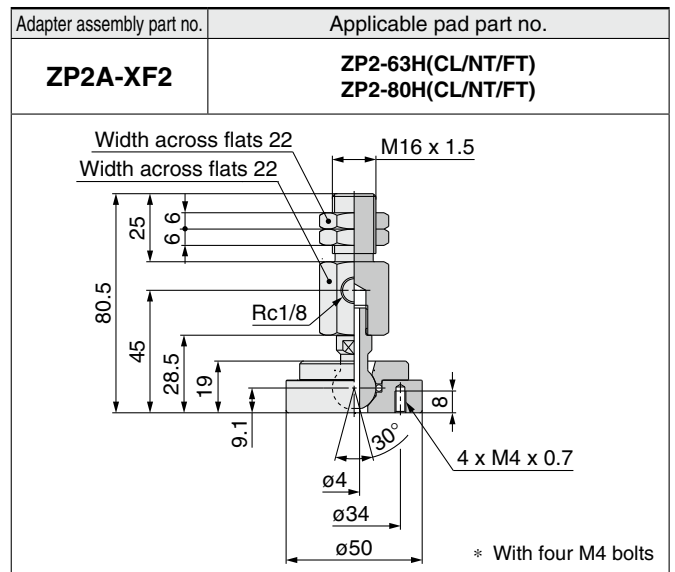
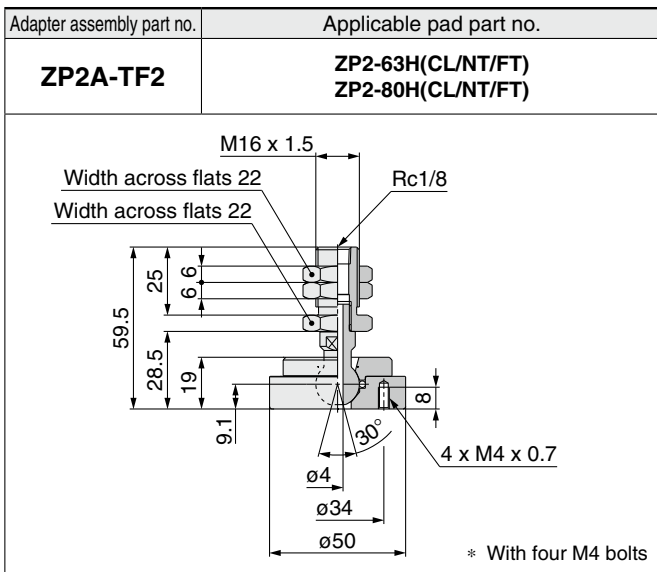
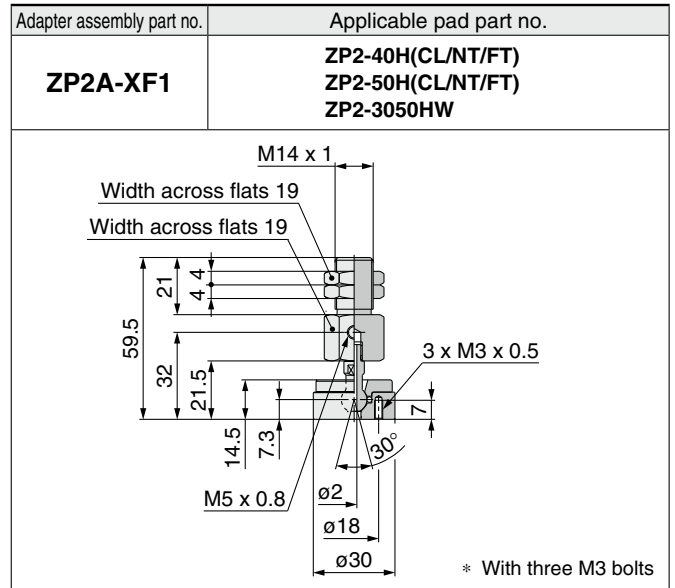
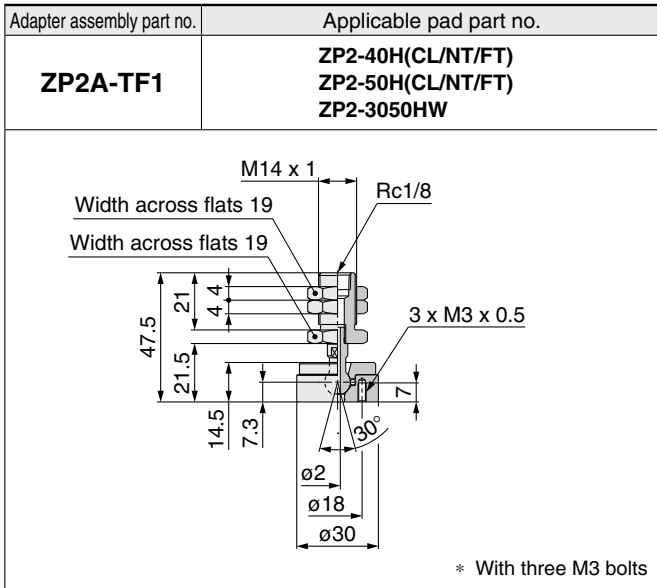
Dimensions

Part no.	A	B
ZPB-X3(JB/JF)25-□01	44	165
ZPB-X3(JB/JF)50-□01	80	201
ZPB-X3(JB/JF)75-□01	120	241
ZPB-X3(JB/JF)100-□01	155	276

* With four M5 bolts

Mark-free Pad/High Rigidity *ZP2 Series* ^{Ball Joint Type} Mounting Bracket Assembly

Adapter Assembly



Buffer Assembly

* Refer to page 343 for nut tightening torque.

Buffer assembly part no.		Applicable pad part no.
Buffer body (Material: Brass)	Buffer body (Material: Structural steel)	
ZP2B-TF1JB25	ZP2B-TF1JF25	ZP2-40H(CL/NT/FT) ZP2-50H(CL/NT/FT) ZP2-3050HW
ZP2B-TF1JB50	ZP2B-TF1JF50	
ZP2B-TF1JB75	ZP2B-TF1JF75	

Buffer Specifications

Buffer specifications	Rotating
Stroke [mm]	25, 50, 75
Spring reactive force [N]	At 0 stroke
	At full stroke

Dimensions

Part no.	A	B
ZP2B-TF1(JB/JF)25	40	138
ZP2B-TF1(JB/JF)50	75	173
ZP2B-TF1(JB/JF)75	111	209

* With three M3 bolts

Buffer assembly part no.		Applicable pad part no.
Buffer body (Material: Brass)	Buffer body (Material: Structural steel)	
ZP2B-TF2JB25	ZP2B-TF2JF25	ZP2-63H(CL/NT/FT) ZP2-80H(CL/NT/FT)
ZP2B-TF2JB50	ZP2B-TF2JF50	
ZP2B-TF2JB75	ZP2B-TF2JF75	
ZP2B-TF2JB100	ZP2B-TF2JF100	

Buffer Specifications

Buffer specifications	Rotating
Stroke [mm]	25, 50, 75, 100
Spring reactive force [N]	At 0 stroke
	At full stroke

Dimensions

Part no.	A	B
ZP2B-TF2(JB/JF)25	44	172.5
ZP2B-TF2(JB/JF)50	80	208.5
ZP2B-TF2(JB/JF)75	120	248.5
ZP2B-TF2(JB/JF)100	155	283.5

* With four M4 bolts

Buffer assembly part no.		Applicable pad part no.
Buffer body (Material: Brass)	Buffer body (Material: Structural steel)	
ZP2B-TF3JB25	ZP2B-TF3JF25	ZP2-100H(CL/NT/FT) ZP2-125H(CL/NT/FT)
ZP2B-TF3JB50	ZP2B-TF3JF50	
ZP2B-TF3JB75	ZP2B-TF3JF75	
ZP2B-TF3JB100	ZP2B-TF3JF100	

Buffer Specifications

Buffer specifications	Rotating
Stroke [mm]	25, 50, 75, 100
Spring reactive force [N]	At 0 stroke
	At full stroke

Dimensions

Part no.	A	B
ZP2B-TF3(JB/JF)25	44	173.5
ZP2B-TF3(JB/JF)50	80	209.5
ZP2B-TF3(JB/JF)75	120	249.5
ZP2B-TF3(JB/JF)100	155	284.5

* With four M5 bolts

Buffer Assembly

* Refer to page 343 for nut tightening torque.

Buffer assembly part no.		Applicable pad part no.
Buffer body (Material: Brass)	Buffer body (Material: Structural steel)	
ZP2B-XF1JB25	ZP2B-XF1JF25	ZP2-40H(CL/NT/FT) ZP2-50H(CL/NT/FT) ZP2-3050HW
ZP2B-XF1JB50	ZP2B-XF1JF50	
ZP2B-XF1JB75	ZP2B-XF1JF75	

Buffer Specifications

Buffer specifications	Rotating
Stroke [mm]	25, 50, 75
Spring reactive force [N]	At 0 stroke: 6.9 At full stroke: 11.8

Dimensions

Part no.	A	B
ZP2B-XF1(JB/JF)25	40	141.5
ZP2B-XF1(JB/JF)50	75	176.5
ZP2B-XF1(JB/JF)75	111	212.5

* With three M3 bolts

Buffer assembly part no.		Applicable pad part no.
Buffer body (Material: Brass)	Buffer body (Material: Structural steel)	
ZP2B-XF2JB25	ZP2B-XF2JF25	ZP2-63H(CL/NT/FT) ZP2-80H(CL/NT/FT)
ZP2B-XF2JB50	ZP2B-XF2JF50	
ZP2B-XF2JB75	ZP2B-XF2JF75	
ZP2B-XF2JB100	ZP2B-XF2JF100	

Buffer Specifications

Buffer specifications	Rotating
Stroke [mm]	25, 50, 75, 100
Spring reactive force [N]	At 0 stroke: 10 At full stroke: 15

Dimensions

Part no.	A	B
ZP2B-XF2(JB/JF)25	44	182.5
ZP2B-XF2(JB/JF)50	80	218.5
ZP2B-XF2(JB/JF)75	120	258.5
ZP2B-XF2(JB/JF)100	155	293.5

* With four M4 bolts

Buffer assembly part no.		Applicable pad part no.
Buffer body (Material: Brass)	Buffer body (Material: Structural steel)	
ZP2B-XF3JB25	ZP2B-XF3JF25	ZP2-100H(CL/NT/FT) ZP2-125H(CL/NT/FT)
ZP2B-XF3JB50	ZP2B-XF3JF50	
ZP2B-XF3JB75	ZP2B-XF3JF75	
ZP2B-XF3JB100	ZP2B-XF3JF100	

Buffer Specifications

Buffer specifications	Rotating
Stroke [mm]	25, 50, 75, 100
Spring reactive force [N]	At 0 stroke: 10 At full stroke: 15

Dimensions

Part no.	A	B
ZP2B-XF3(JB/JF)25	44	183.5
ZP2B-XF3(JB/JF)50	80	219.5
ZP2B-XF3(JB/JF)75	120	259.5
ZP2B-XF3(JB/JF)100	155	294.5

* With four M5 bolts