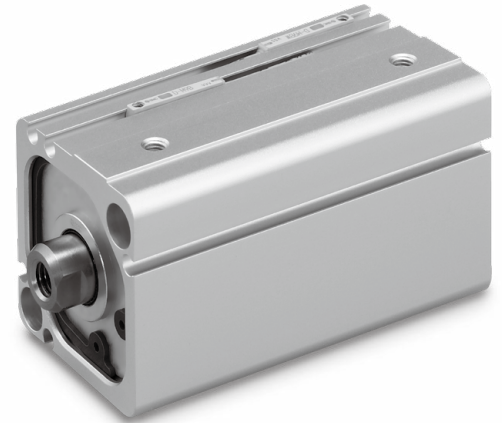


Compact Cylinder/ Polygonal Piston Square Type



Size: 32, 40, 50

Now, more compact and lightweight due to the adoption of a polygonal piston!

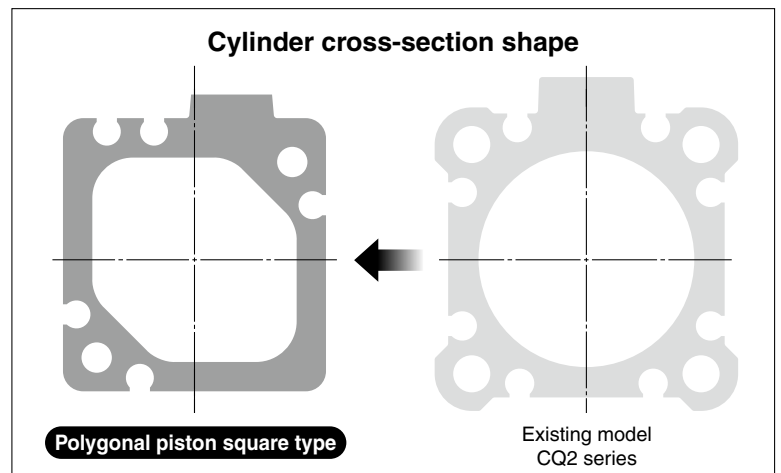


Weight **30%^{*1} reduction**
199 g → 139 g

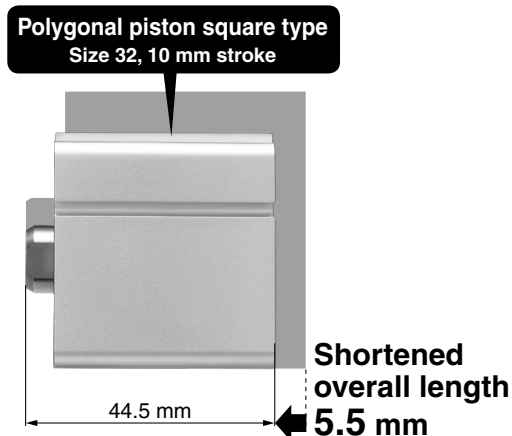
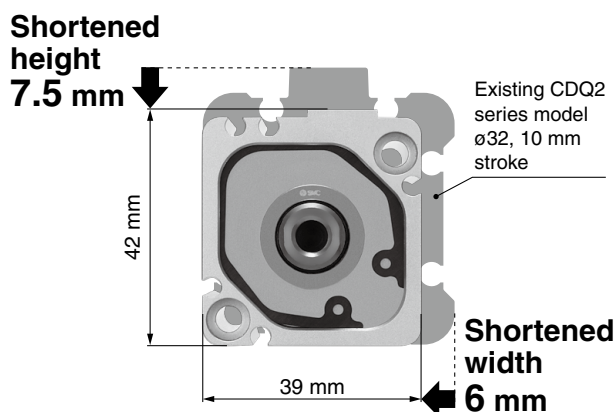
Height **15%^{*1} reduction**
49.5 mm → 42 mm

Width **13%^{*1} reduction**
45 mm → 39 mm

Overall length **11%^{*1} reduction**
50 mm → 44.5 mm

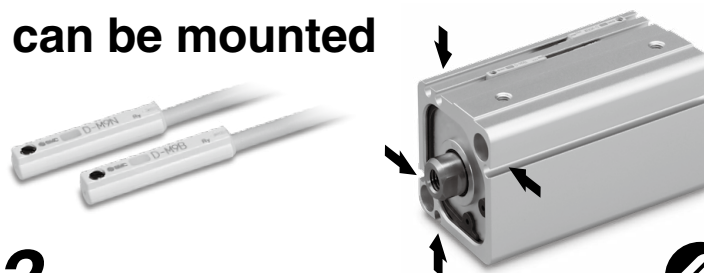


*1 Compared with the CDQ2 series, ø32, 10 mm stroke



■ Small auto switches can be mounted on 4 surfaces.

Applicable auto switch: D-M9□



CDQ2B-X3162



CDQ2B-X3162

Specifications

Size	32 (Equiv. ø32 piston area)	40 (Equiv. ø40 piston area)	50 (Equiv. ø50 piston area)
Action	Double acting		
Fluid	Air		
Proof pressure	1.0 MPa		
Max. operating pressure	0.7 MPa*2		
Min. operating pressure	0.05 MPa		
Ambient and fluid temperatures	5 to 60°C		
Piston speed	50 to 500 mm/s	50 to 300 mm/s*2	
Cushion	Rubber bumper		
Lubrication	Not required (Non-lube)		
Stroke length tolerance	+1.3 mm*1		
Allowable kinetic energy	0.15 J	0.26 J	0.46 J

*1 Stroke length tolerance does not include the amount of bumper change.

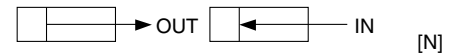
Depending on the system configuration selected, the specified speed may not be satisfied.

*2 Maximum operating pressure and piston speed are different from the existing product (CQ2 series).

Standard Strokes

Size	Standard stroke [mm]
32	10, 20, 30, 40, 50
40	
50	

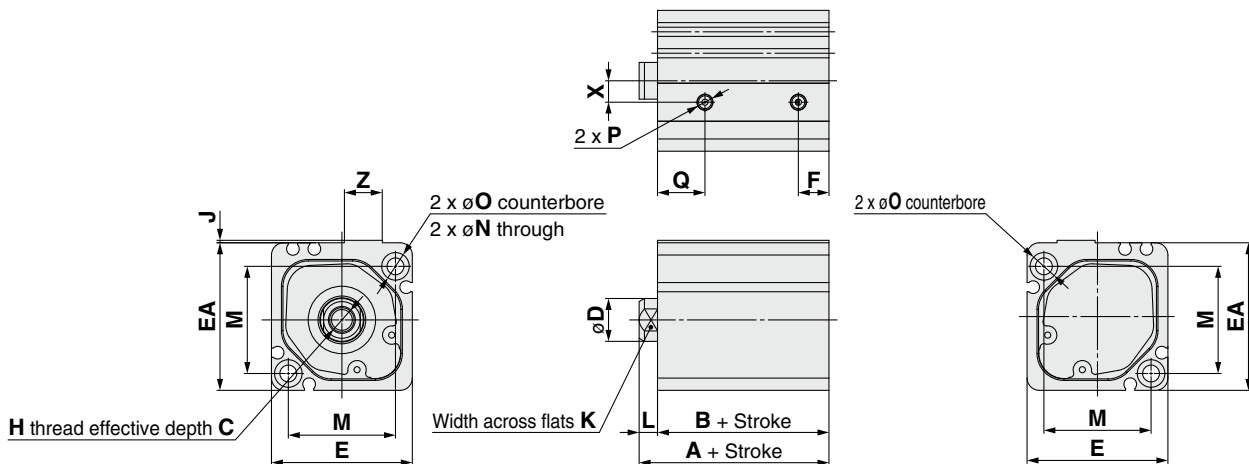
Theoretical Output



Size	Rod operating direction	Piston area [mm ²]	Operating air pressure [MPa]					
			0.2	0.3	0.4	0.5	0.6	0.7
32	IN	691	138	207	276	345	415	484
	OUT	804	161	241	322	402	482	563
40	IN	1102	220	331	441	551	661	771
	OUT	1256	251	377	502	628	754	879
50	IN	1709	342	512	683	854	1025	1196
	OUT	1963	393	589	785	982	1178	1374

* Theoretical output [N] = Pressure [MPa] x Piston area [mm²]

Dimensions



Size	A	B	C	D	E	EA	F	H	J	K	L	M	N	O	P	Q	X	Z
32	34.5	29.5	12	12	39	40.5	8.5	M6 x 1.0	1.5	10	5	29	4.5	8 depth 6	M5 x 0.8	10	5.5	12.4
40	42	36	13	14	46	48.2	10	M8 x 1.25	0.8	12	6	35	5.5	9 depth 7	M5 x 0.8	15.5	7	12.4
50	49.5	41.5	15	18	55	58.2	11.5	M10 x 1.5	2.3	16	8	42	6.6	11 depth 8	Rc1/8	17.5	10	15

⚠ Safety Instructions Be sure to read the "Handling Precautions for SMC Products" (M-E03-3) and the "CQ2 Series Specific Product Precautions" before use.

SMC Corporation

Akihabara UDX 15F,
4-14-1, Sotokanda, Chiyoda-ku, Tokyo 101-0021, JAPAN
Phone: 03-5207-8249 Fax: 03-5298-5362
<https://www.smcworld.com>
© 2019 SMC Corporation All Rights Reserved

Specifications are subject to change without prior notice and any obligation on the part of the manufacturer.