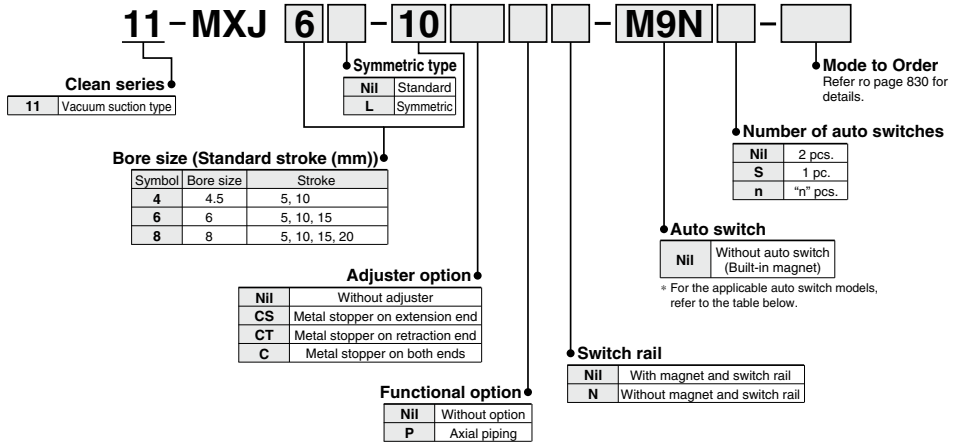


# Series 11-MXJ ø4, ø6, ø8 Air Side Table



## How to Order



### Auto Switch Specifications (Refer to the WEB catalog for detailed specifications and auto switches not in the following table.)

Type	Special function	Electrical entry	Indicator light	Wiring (Output)	Load voltage			Auto switch model	Lead wire length (m)*		Applicable load	
					DC	AC	Electrical entry direction		0.5 (Nil)	3 (L)		
								In-line				
Reed auto switch	—	Grommet	Yes	2-wire	24 V	12 V	100 V	A93	●	●	—	Relay, PLC
Solid state auto switch	—	Grommet	Yes	3-wire (NPN)	24 V	12 V	12 V	M9N	●	●	—	Relay, PLC
				2-wire				M9B	●	●	—	

\* Lead wire length symbols 0.5 m.....Nil (Example) A93  
3 m.....L  
A93L

PLC: Programmable Logic Controller

Refer to page 889 for the applicable auto switch list.

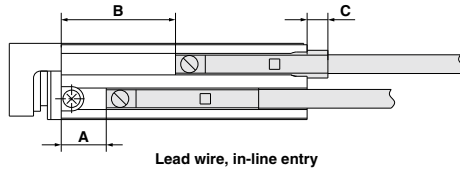
## Specifications

Model		11-MXJ4	11-MXJ6	11-MXJ8
Bore size (mm)		4.5	6	8
Piping port size		M3 x 0.5		
Fluid		Air		
Action		Double acting		
Operating pressure		0.15 to 0.7 MPa		
Proof pressure		1.05 MPa		
Ambient and fluid temperature		-10 to 60°C		
Operating speed range (Average operating speed) <small>(Note)</small>		50 to 500 mm/s (Metal stopper: 50 to 200 mm/s)		
Cushion		Rubber bumper (Metal stopper: Without cushion)		
Lubrication		Non-lube		
Stroke adjusting range (Metal stopper)		0 to 5 mm at both ends		
Stroke length tolerance		+1 0 mm		
Cleanliness class (ISO class)	Without adjuster	Class 5		
	Metal stopper	Class 6		

Note) Average operating speed: Speed that the stroke is divided by a period of time from starting the operation to reaching the end.

## Auto Switch Proper Mounting Position (Detection at Stroke End)

Reed auto switch **D-A93**      Solid state auto switch **D-M9□**



\* Values in the table below are used as a reference when mounting the auto switches for stroke end detection. For actually setting the auto switches, adjust them after confirming their operation.

### Reed Auto Switch: D-A93

Model	A				B				C				Auto switch operating range
	Stroke				Stroke				Stroke				
	5	10	15	20	5	10	15	20	5	10	15	20	
11-MXJ4	9	4	—	—	14	14	—	—	0.5	0.5	—	—	4
11-MXJ6	9	4	3	—	14	14	18	—	0.5	0.5	-0.5	—	
11-MXJ8	9	4	10	5	14	14	25	25	-0.5	-0.5	0.5	0.5	

### Solid State Auto Switch (Lead Wire, In-line Entry): D-M9□

Model	A				B				C				Auto switch operating range
	Stroke				Stroke				Stroke				
	5	10	15	20	5	10	15	20	5	10	15	20	
11-MXJ4	13	8	—	—	18	18	—	—	4.5	4.5	—	—	2.5
11-MXJ6	13	8	7	—	18	18	22	—	4.5	4.5	3.5	—	
11-MXJ8	13	8	14	9	18	18	29	29	3.5	3.5	4.5	4.5	

## Auto Switch Mounting

When using the solid state auto switch (D-M9□), mount it in the illustrated direction. The lower slot is for extension end detection.

### · Lead wire, in-line entry (D-M9□)

Extension end      Retraction end



## Suction Flow Rate of Vacuum Suction Type (Reference values)

Size	Suction flow rate L/min (ANR)
4	1
6	1
8	1

Directional Control Valves

Air Cylinders

Rotary Actuators

Air Grippers

Air Preparation Equipment

Modular F. R.

Pressure Control Equipment

Fittings & Tubing

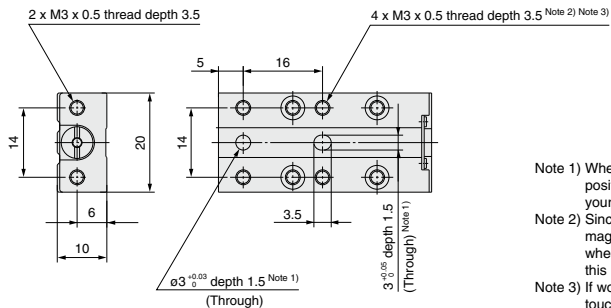
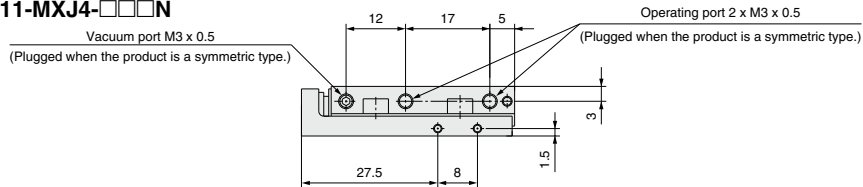
Flow Control Equipment

Pressure Switches/ Pressure Sensors

**Dimensions** Note) In the 11-MXJ4, there is no change in total length by stroke.

**Basic (Without switch rail)**

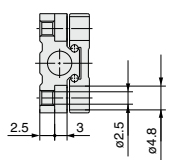
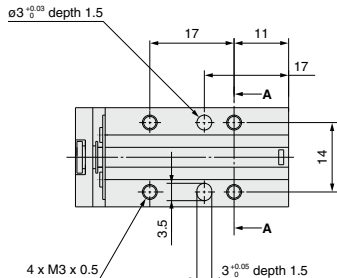
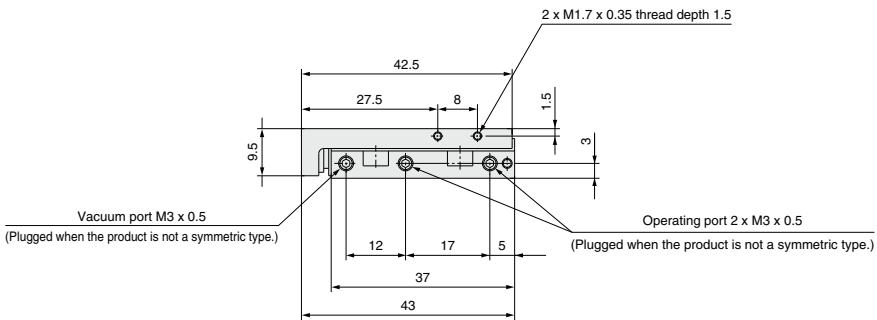
**11-MXJ4-□□□N**



Note 1) When using a positioning pin, use a stepped positioning pin. For details, please consult with your SMC sales representative.

Note 2) Since the body and table are constructed with a magnetic substance, it becomes magnetized when magnets, etc. are attached to them, and this may cause the auto switch malfunction.

Note 3) If workpiece holding bolts are used, they can touch the body and cause malfunctions, etc. Refer to the Specific Product Precautions.



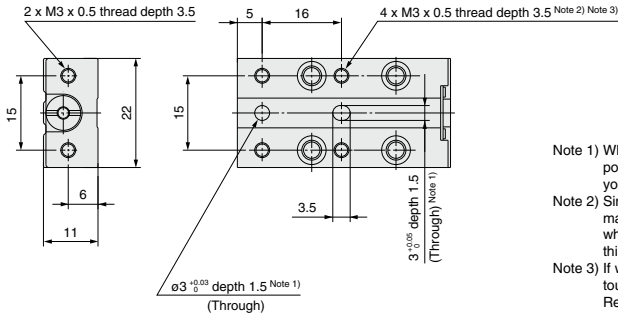
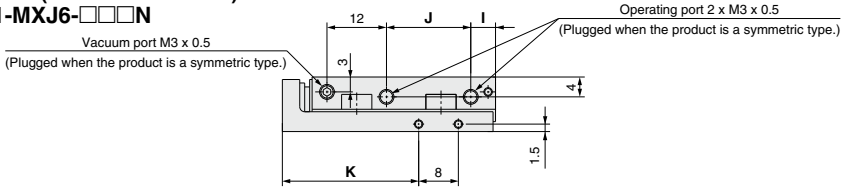
**A-A**

\* Other dimensions are the same as standard model (Series MXJ).

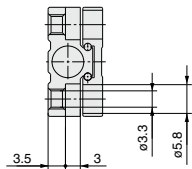
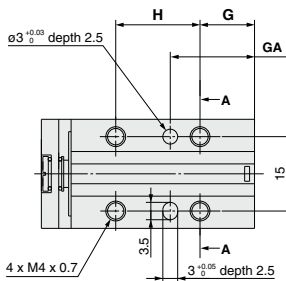
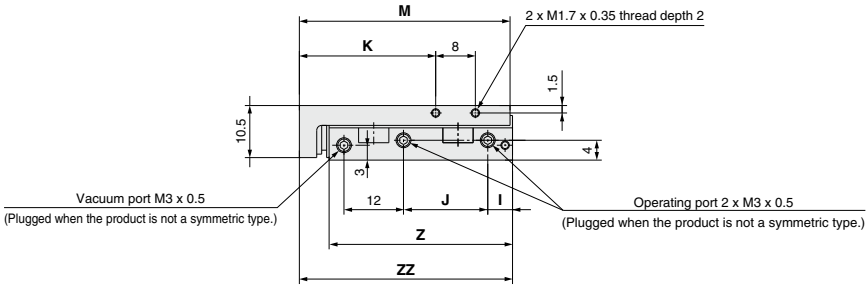
**Dimensions**

**Basic (Without switch rail)**

**11-MXJ6-□□□□N**



- Note 1) When using a positioning pin, use a stepped positioning pin. For details, please consult with your SMC sales representative.
- Note 2) Since the body and table are constructed with a magnetic substance, it becomes magnetized when magnets, etc. are attached to them, and this may cause the auto switch malfunction.
- Note 3) If workpiece holding bolts are used, they can touch the body and cause malfunctions, etc. Refer to the Specific Product Precautions.



**A-A**

Model	G	GA	H	I	J	K	M	Z	ZZ
<b>11-MXJ6-5</b>	11	17	17	5	17	27.5	42.5	37	43
<b>11-MXJ6-10</b>	11	17	17	5	17	27.5	42.5	37	43
<b>11-MXJ6-15</b>	13	22	20	7	20	31.5	47.5	42	48

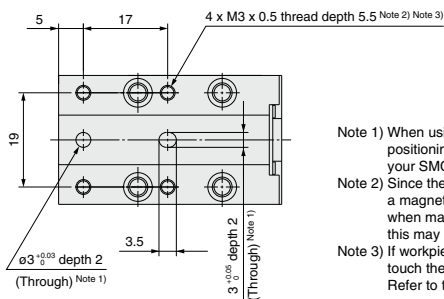
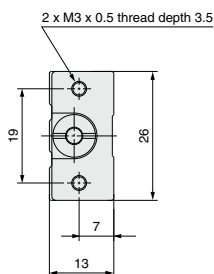
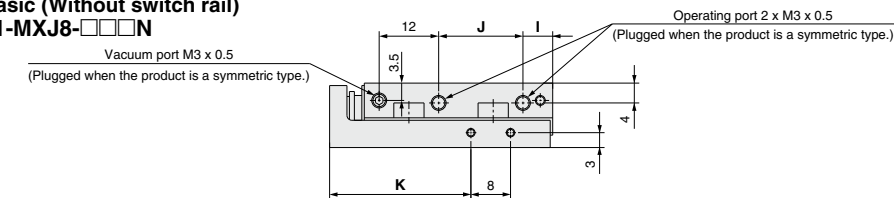
\* Other dimensions are the same as standard model (Series MXJ).

Directional Control Valves  
 Air Cylinders  
 Rotary Actuators  
 Air Grippers  
 Air Preparation Equipment  
 Modular F. R.  
 Pressure Control Equipment  
 Fittings & Tubing  
 Flow Control Equipment  
 Pressure Switches/ Pressure Sensors

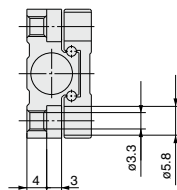
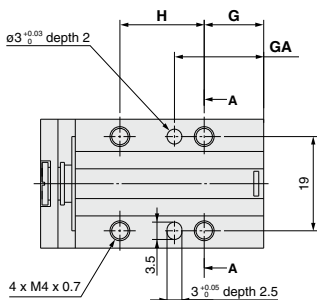
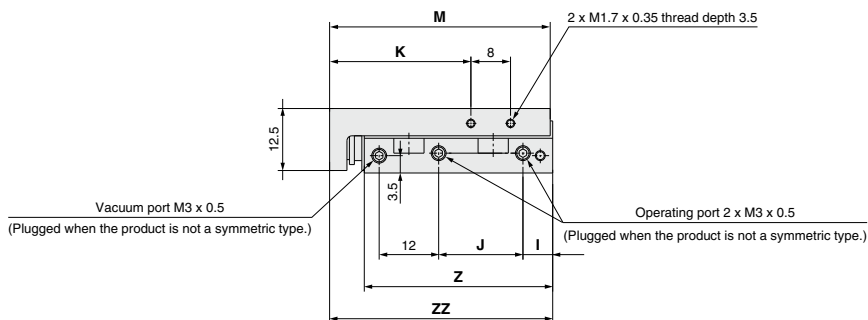
## Dimensions

### Basic (Without switch rail)

#### 11-MXJ8-□□□N



- Note 1) When using a positioning pin, use a stepped positioning pin. For details, please consult with your SMC sales representative.
- Note 2) Since the body and table are constructed with a magnetic substance, it becomes magnetized when magnets, etc. are attached to them, and this may cause the auto switch malfunction.
- Note 3) If workpiece holding bolts are used, they can touch the body and cause malfunctions, etc. Refer to the Specific Product Precautions.



Model	G	GA	H	I	J	K	M	Z	ZZ
11-MXJ8-5	12	18	17	6	17	28.5	44.5	38	45
11-MXJ8-10	12	18	17	6	17	28.5	44.5	38	45
11-MXJ8-15	19	28	20	8	25	39.5	54.5	48	55
11-MXJ8-20	19	28	20	8	25	39.5	54.5	48	55

\* Other dimensions are the same as standard model (Series MXJ).

## Made to Order

Anti-corrosive guide unit	-X42
---------------------------	------

11-MXJ      

Standard model no.
--------------------

      -X42

Martensitic stainless steel is used for table and body. Use this treatment if more effective anti-corrosiveness is necessary.

Anti-corrosive treatment <sup>Note 2)</sup> is applied to the table and body.

Note 1) Dimensions are the same as standard type.

Note 2) Special anti-corrosive treatment makes the table and body black.

Directional  
Control Valves

Air Cylinders

Rotary Actuators

Air Grippers

Air Preparation  
Equipment

Modular F. R.

Pressure Control  
Equipment

Fittings & Tubing

Flow Control  
Equipment

Pressure Switches/  
Pressure Sensors