

Pressure Gauge for General Purpose

G43-10-01-X300

RoHS



How to Order

G43-10-01-X300

• Internal/external parts copper-free type

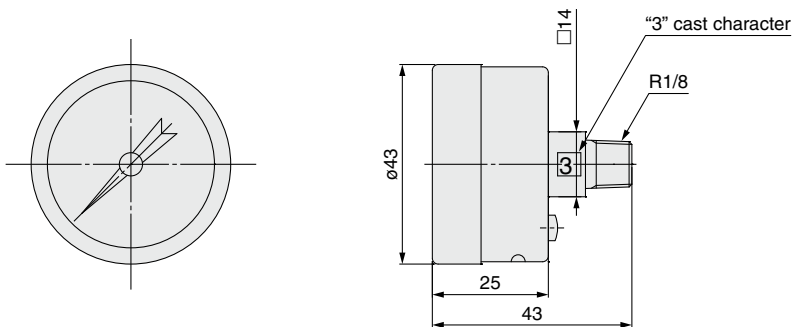
Specifications

Type	Back side thread
Thread type	R
Pressure range	0-1.0 MPa
Accuracy	±3% F.S
Weight	82 g

* The dimensions and shape may differ in some parts from those of the standard product.

Dimensions

G43-10-01-X300



Pressure Gauge for Clean Regulator/ With Limit Indicator

G46-SRB



How to Order

Pressure gauge • **G 46** - **10** - **01** **SRB** - -

① ② ③ ④ ⑤ ⑥

		Symbol	Description	G46
		+		
①	Max. display pressure	2	0.2 MPa	●
		4	0.4 MPa	●
		7	0.7 MPa	●
		10	1.0 MPa	●
		P2 ⁽¹⁾	0.2 MPa, 30 psi	○ ⁽²⁾
		P10 ⁽¹⁾	1.0 MPa, 150 psi	○ ⁽²⁾
		+		
②	Connection thread	01	R 1/8	●
		02	R 1/4	●
		+		
③	Option	Nil	—	●
		M ⁽³⁾	With M5 (Female thread)	●
		+		
④	Grade	SRB	Component parts: General degreasing Assembly: General production line	●
		+		
⑤	Attachment	Nil	Without cover ring assembly	●
		C	Clear cover has no protrusion. (Clear cover is irremovable.)	●
		C2	Clear cover has protrusion. (Clear cover is removable.) The wrench flats protrude.	●
		+		
⑥	Special specification	Nil	—	●
		X30	Both MPa and psi	○ ⁽²⁾

Note 1) This symbol must be used with Special specification "X30."

Note 2) Under the New Measurement Law, products for overseas use only (SI unit type for use in Japan)

Note 3) To use the pressure gauge with M5 (female thread), attach the joint when piping the tube.
For combinations with the special specification products, please consult SMC separately.

For details, refer to the [Web Catalog](#).