

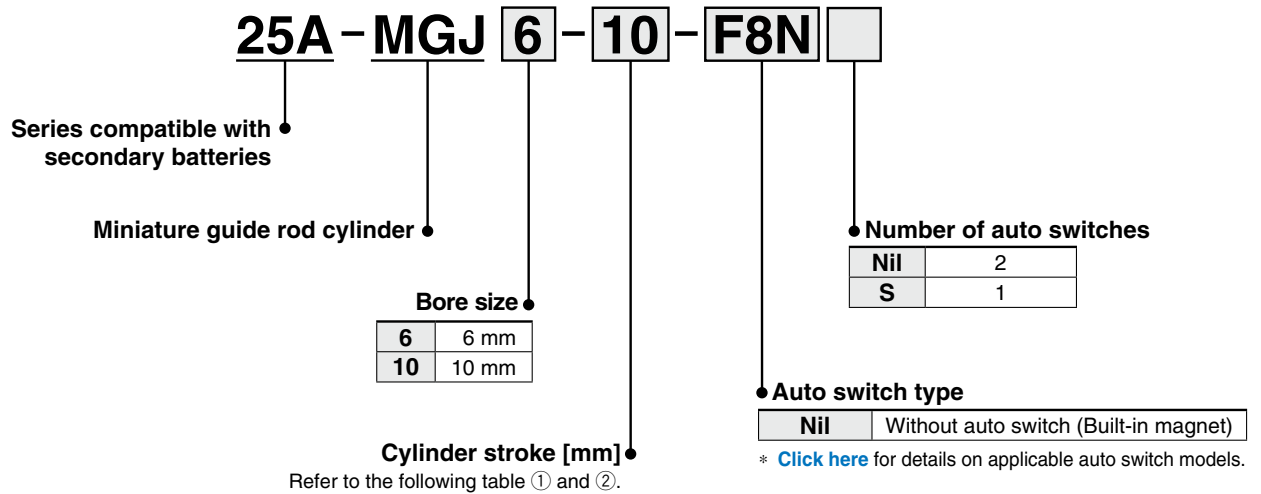
# Miniature Guide Rod Cylinder

## 25A-MGJ Series

∅6, ∅10



### How to Order



**Table ① Standard Strokes**

Bore size [mm]	Standard stroke [mm]
6	5, 10, 15
10	5, 10, 15, 20

**Table ② Intermediate Stroke (by the 1 mm stroke)**

Bore size [mm]	Applicable stroke [mm]
6	1 to 15 (Spacer type)
10	1 to 20 (Spacer type)
Example	Model no.: 25A-MGJ6-9 Installing a 1 mm width spacer for 25A-MGJ6-10 External size: same as 25A-MGJ6-10

\* When mounting an auto switch, the min. stroke is 4 mm.  
However, only 1 auto switch can be mounted in this case.

\* The 25A- series specifications and dimensions are the same as those of the standard model.

For details, refer to the [Web Catalog](#).

# Compact Guide Cylinder

RoHS

# 25A-MGP Series

ø12, ø16, ø20, ø25, ø32, ø40, ø50, ø63, ø80, ø100



## How to Order

**25A - MGP M 25**    - **30** Z - **M9BW**   

Series compatible with secondary batteries

Compact guide cylinder

Bearing type

M	Slide bearing
L	Ball bushing

Bore size

12	12 mm
16	16 mm
20	20 mm
25	25 mm
32	32 mm
40	40 mm
50	50 mm
63	63 mm
80	80 mm
100	100 mm

Cylinder stroke [mm]

12, 16	10, 20, 30, 40, 50, 75, 100, 125, 150, 175, 200, 250
20, 25	20, 30, 40, 50, 75, 100, 125, 150, 175, 200, 250, 300, 350, 400
32 to 100	25, 50, 75, 100, 125, 150, 175, 200, 250, 300, 350, 400

Number of auto switches

Nil	2
S	1
n	n

Auto switch

Nil	Without auto switch (Built-in magnet)
-----	---------------------------------------

\* [Click here](#) for details on applicable auto switch models.

Port thread type

Nil	M5 x 0.8
	Rc
TN	NPT
TF	G

\* For bore sizes ø12 and ø16, only M5 x 0.8 is available.

\* The 25A- series specifications and dimensions are the same as those of the standard model.

For details, refer to the [Web Catalog](#).

# Compact Guide Cylinder/With Air Cushion

# 25A-MGP Series

∅16, ∅20, ∅25, ∅32, ∅40, ∅50, ∅63, ∅80, ∅100

RoHS



## How to Order

**25A - MGP M 32**    - **50** **A Z** - **M9BW**   

Series compatible with secondary batteries

Compact guide cylinder

Bearing type

<b>M</b>	Slide bearing
<b>L</b>	Ball bushing

Bore size

<b>16</b>	16 mm
<b>20</b>	20 mm
<b>25</b>	25 mm
<b>32</b>	32 mm
<b>40</b>	40 mm
<b>50</b>	50 mm
<b>63</b>	63 mm
<b>80</b>	80 mm
<b>100</b>	100 mm

Number of auto switches

<b>Nil</b>	2
<b>S</b>	1
<b>n</b>	n

Auto switch

<b>Nil</b>	Without auto switch (Built-in magnet)
------------	---------------------------------------

\* [Click here](#) for details on applicable auto switch models.

With air cushion

Cylinder stroke [mm]

Bore size	Standard stroke
<b>16</b>	25, 50, 75, 100, 125, 150, 175, 200, 250
<b>20 to 63</b>	25, 50, 75, 100, 125, 150, 175, 200, 250, 300, 350, 400
<b>80, 100</b>	50, 75, 100, 125, 150, 175, 200, 250, 300, 350, 400

Port thread type

<b>Nil</b>	M5 x 0.8
	Rc
<b>TN</b>	NPT
<b>TF</b>	G

\* For bore size 16, only M5 x 0.8 is available.

\* The 25A- series specifications and dimensions are the same as those of the standard model.

For details, refer to the [Web Catalog](#).

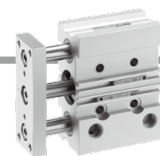
# Compact Guide Cylinder

# 25A-MGPK Series

∅12, ∅16, ∅20, ∅25, ∅32, ∅40, ∅50

RoHS

## How to Order



**25A-MGPK A M 32**  - **50**  - **M9BW**

Series compatible with secondary batteries

Compact guide cylinder

Plate material

<b>A</b>	Aluminum alloy
<b>F</b>	Carbon steel

Bearing type

<b>M</b>	Slide bearing
----------	---------------

Bore size

<b>12</b>	12 mm	<b>32</b>	32 mm
<b>16</b>	16 mm	<b>40</b>	40 mm
<b>20</b>	20 mm	<b>50</b>	50 mm
<b>25</b>	25 mm		

Port thread type

<b>Nil</b>	M5 x 0.8
	Rc
<b>TN</b>	NPT
<b>TF</b>	G

\* For bore sizes 12 and 16, only M5 x 0.8 is available.

Number of auto switches

<b>Nil</b>	2
<b>S</b>	1
<b>n</b>	n

Auto switch

<b>Nil</b>	Without auto switch (Built-in magnet)
------------	---------------------------------------

\* [Click here](#) for details on applicable auto switch models.

Piping port location

<b>Nil</b>	Top/Side ported
<b>P*1</b>	Top ported

\*1 For bore sizes 12 and 16 only

Cylinder stroke [mm]

Bore size [mm]	Standard stroke [mm]
<b>12, 16</b>	10, 20, 30, 40, 50, 75, 100, 125, 150
<b>20, 25</b>	20, 30, 40, 50, 75, 100, 125, 150, 175, 200
<b>32 to 50</b>	25, 50, 75, 100, 125, 150, 175, 200

\* The 25A- series specifications and dimensions are the same as those of the standard model.

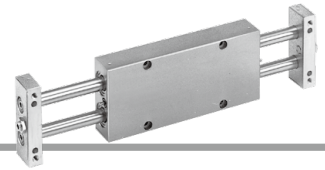
For details, refer to the [Web Catalog](#).

# Slide Unit: Built-in Shock Absorber Slide Bearing Type

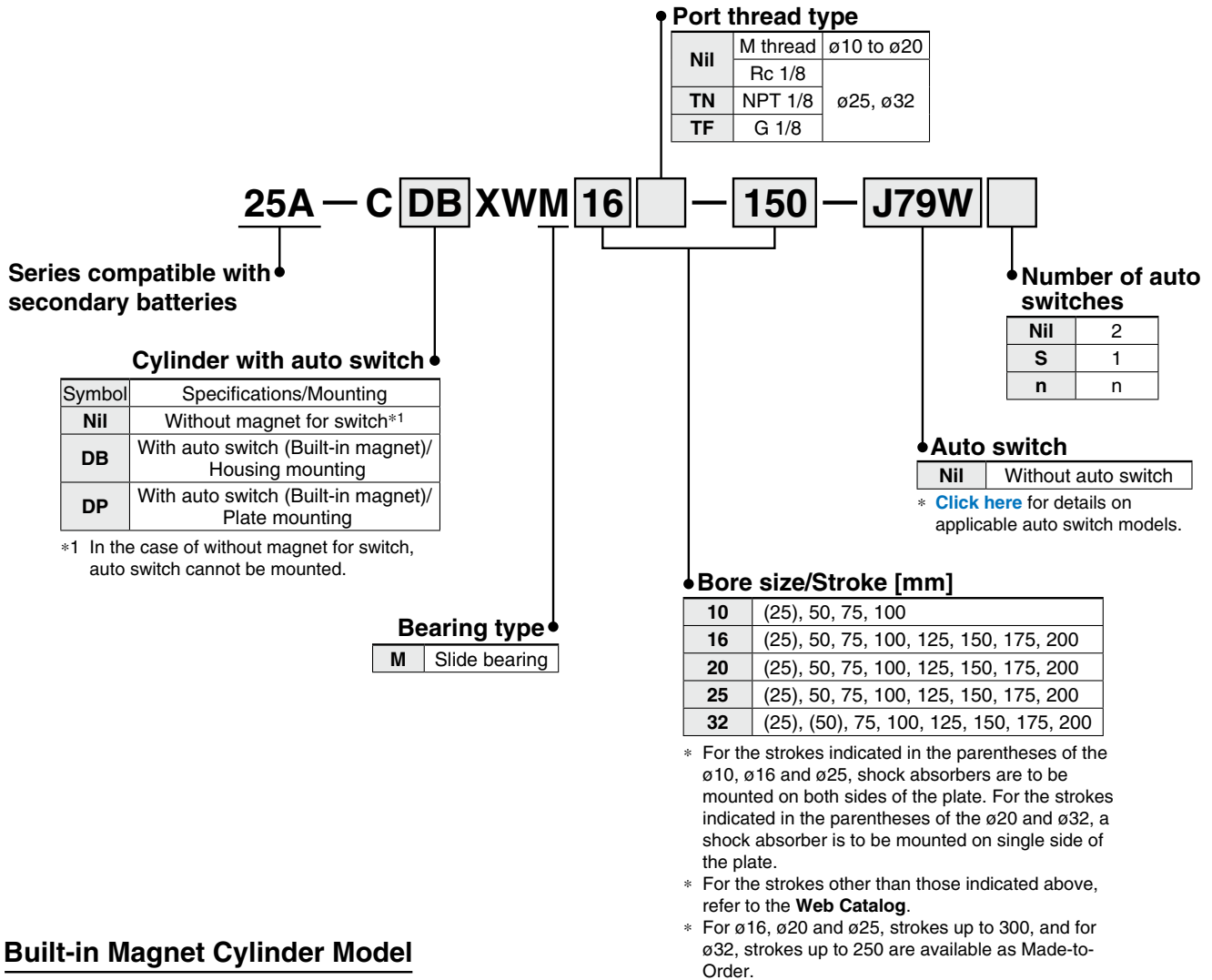
RoHS

# 25A-CXWM Series

ø10, ø16, ø20, ø25, ø32



## How to Order



### Built-in Magnet Cylinder Model

If a built-in magnet cylinder without an auto switch is required, there is no need to enter the symbol for the auto switch. (Example) 25A-CDPXWM20-100

\* The 25A- series specifications and dimensions are the same as those of the standard model.

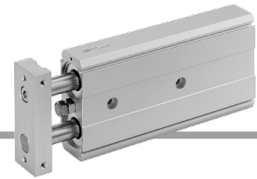
For details, refer to the **Web Catalog**.

# Dual Rod Cylinder/Compact Type

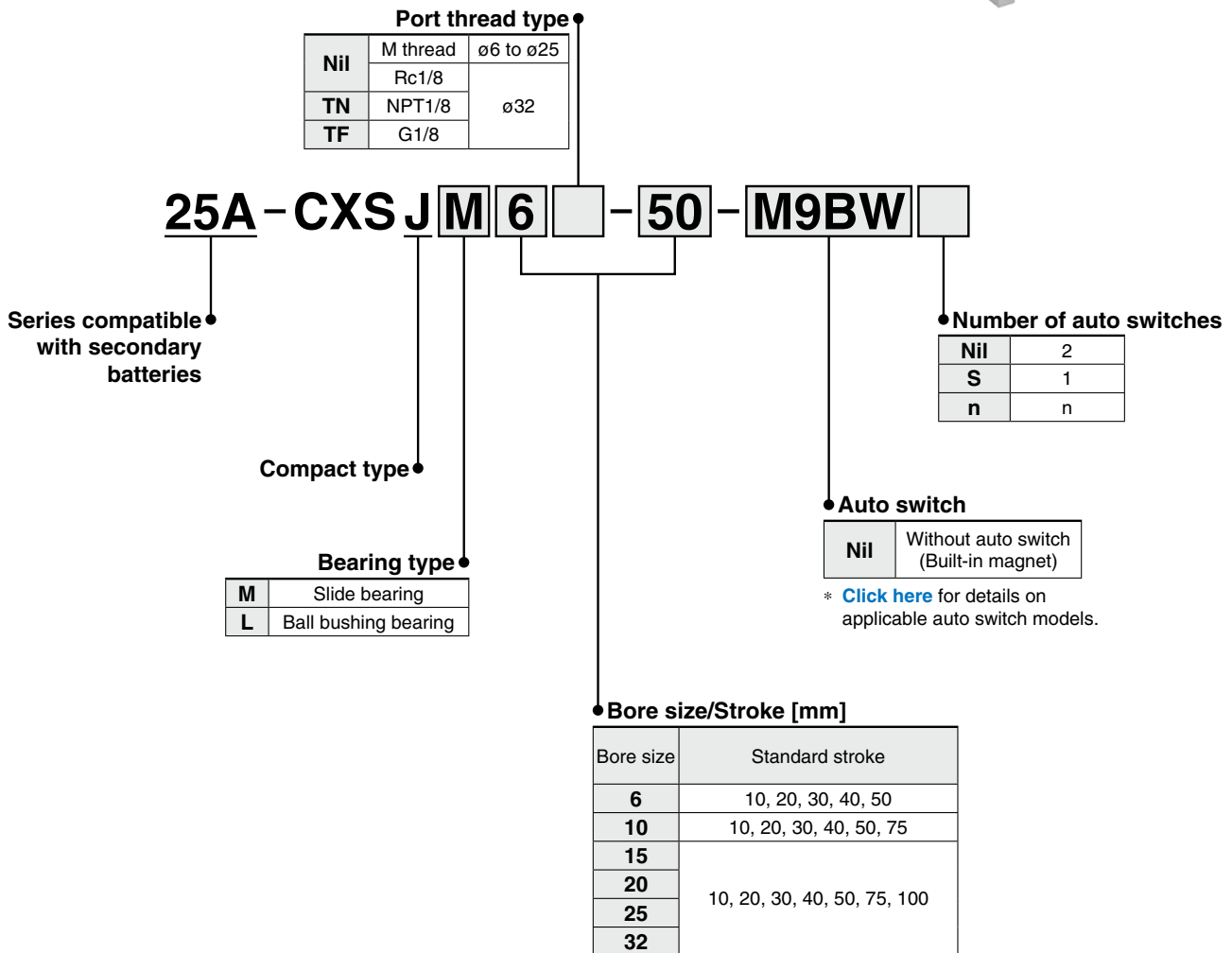
# 25A-CXSJ Series

ø6, ø10, ø15, ø20, ø25, ø32

RoHS



## How to Order



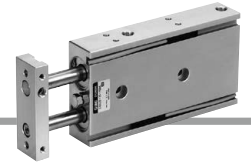
\* The 25A- series specifications and dimensions are the same as those of the standard model.

For details, refer to the [Web Catalog](#).

# Dual Rod Cylinder Basic Type

## 25A-CXS Series

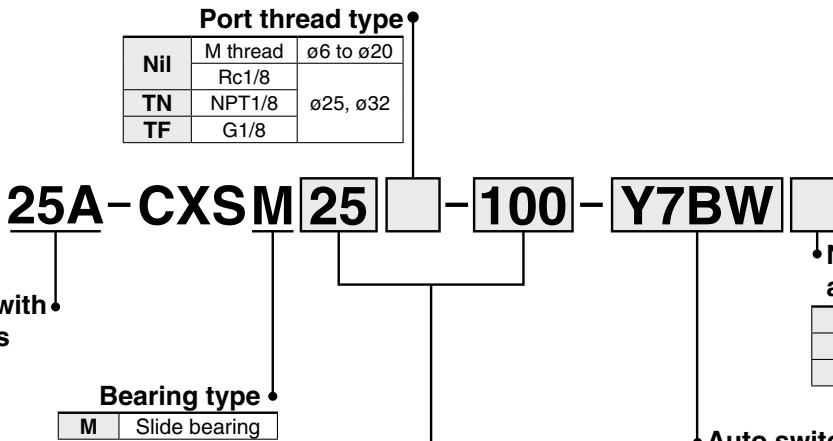
ø6, ø10, ø15, ø20, ø25, ø32



### How to Order

#### Slide bearing type

Series compatible with secondary batteries



Bore size/Stroke [mm]

Bore size	Standard stroke [mm]
6	10, 20, 30, 40, 50
10	10, 15, 20, 25, 30, 35, 40, 45, 50, 60, 70, 75
15, 20, 25, 32	10, 15, 20, 25, 30, 35, 40, 45, 50, 60, 70, 75, 80, 90, 100

Number of auto switches

Nil	2
S	1
n	n

Auto switch

Nil Without auto switch (Built-in magnet)

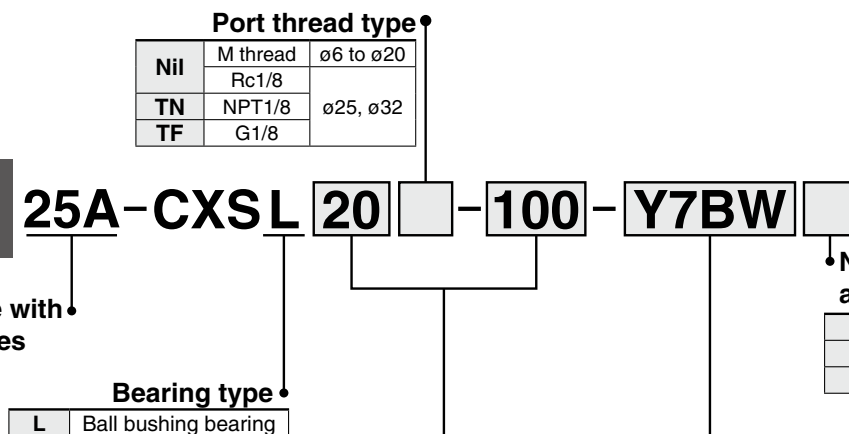
\* [Click here](#) for details on applicable auto switch models.

\* The 25A- series specifications and dimensions are the same as those of the standard model.

For details, refer to the [Web Catalog](#).

#### Ball bushing bearing type

Series compatible with secondary batteries



Bore size/Stroke [mm]

Bore size	Standard stroke [mm]
6	10, 20, 30, 40, 50
10	10, 15, 20, 25, 30, 35, 40, 45, 50, 60, 70, 75
15, 20, 25, 32	10, 15, 20, 25, 30, 35, 40, 45, 50, 60, 70, 75, 80, 90, 100

Number of auto switches

Nil	2
S	1
n	n

Auto switch

Nil Without auto switch (Built-in magnet)

\* [Click here](#) for details on applicable auto switch models.

\* The 25A- series specifications and dimensions are the same as those of the standard model.

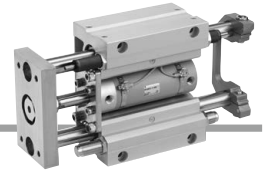
For details, refer to the [Web Catalog](#).

# Guide Cylinder



# 25A-MGG Series

Ø20, Ø25, Ø32, Ø40, Ø50



## How to Order

**25A - MGG L B 32** - **100** - **M9BW**

Series compatible with secondary batteries

Guide cylinder

Bearing type

L	Ball bushing
---	--------------

Mounting

B	Basic
F	Front mounting flange

Bore size

20	20 mm
25	25 mm
32	32 mm
40	40 mm
50	50 mm

Port thread type

Nil	Rc
TN	NPT
TF	G

Number of auto switches

Nil	2
S	1
n	n

Auto switch

Nil	Without auto switch (Built-in magnet)
-----	---------------------------------------

\* [Click here](#) for details on applicable auto switch models.

Cylinder stroke [mm]

Bore size [mm]	Standard stroke [mm]	Long stroke [mm]
20	75, 100, 125, 150, 200	250, 300, 350, 400
25	75, 100, 125, 150, 200, 250, 300	350, 400, 450, 500
32		350, 400, 450, 500, 600
40		350, 400, 450, 500, 600, 700, 800
50		350, 400, 450, 500, 600, 700, 800, 900, 1000

\* Intermediate strokes and short strokes other than those listed above are produced upon receipt of order.

\* The 25A- series specifications and dimensions are the same as those of the standard model.

For details, refer to the [Web Catalog](#).